

Hydraulic Adapters - 37° JIC

Flare 90° Bulkhead Elbow with Lock Nuts

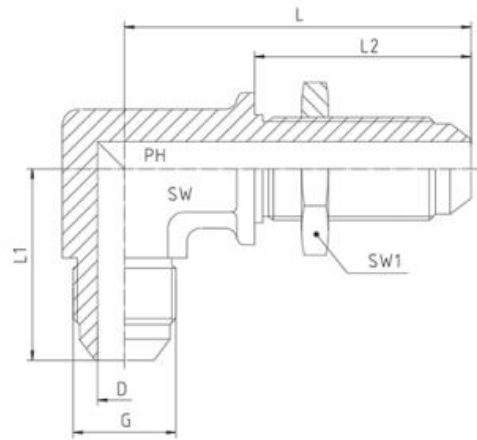
Specifications

- Reference SAE 070701
- Pressure rating at 70°F (21°C)

Male JIC 37° Flare	PSI	Zinc Plated Steel Part #
7/16"-20	5000	2701LN-4
9/16"-18	5000	2701LN-6
3/4"-16	4500	2701LN-8
7/8"-14	3500	2701LN-10
1-1/16"-12	3500	2701LN-12
1-5/16"-12	3000	2701LN-16

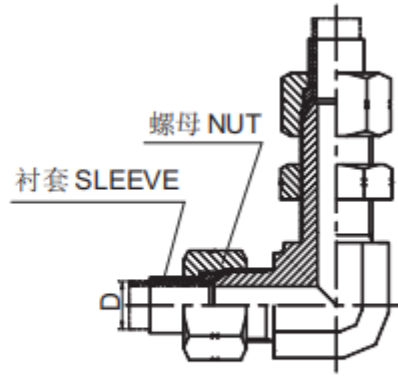
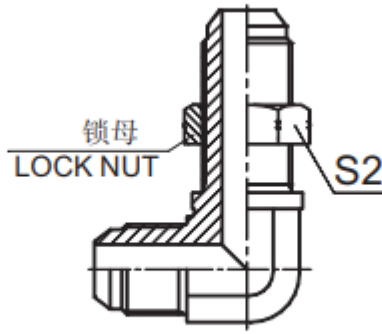
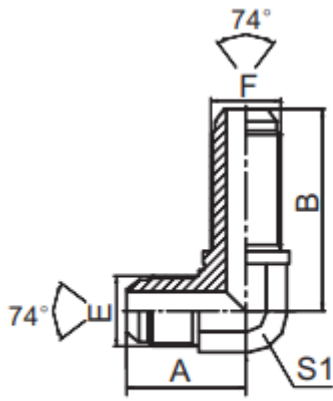


90°-Elbow Bulkhead Connections



90°-Elbow Bulkhead Connections

Pressure	Tube O.D.		Thread	Approx. Dimensions						Order-Code
	mm	in.		G	L	L1	L2	D	SW1	
350	6	1/4"	7/16"-20 UNF	40,0	25,0	26,0	4,0	17	12	1252521-04-04
350	8	5/16"	1/2"-20 UNF	44,0	27,0	26,0	6,0	19	14	1252521-05-05
350	10	3/8"	9/16"-18 UNF	46,0	28,0	28,0	8,0	22	14	1252521-06-06
350	12	1/2"	3/4"-16 UNF	54,0	36,0	32,0	10,0	24	19	1252521-08-08
350	14, 15, 16	5/8"	7/8"-14 UNF	61,0	40,0	35,0	12,0	30	24	1252521-10-10
350	18, 20	3/4"	1 1/16"-12 UN	68,0	45,0	40,0	16,0	36	27	1252521-12-12
280	25	1"	1 5/16"-12 UN	71,0	49,0	40,0	22,0	41	41	1252521-16-16
210	28, 30, 32	1 1/4"	1 5/8"-12 UN	80,0	55,0	41,0	28,0	50	41	1252521-20-20
210	35, 38	1 1/2"	1 7/8"-12 UN	87,0	59,0	55,0	33,0	55	50	1252521-24-24



6J9

6J9-LN

代号 PART NO.	螺纹 THREAD		尺寸 DIMENSIONS						
	E	F			A	B	S1	S2	
6J9-04	7/16"X20	7/16"X20			24.5	40.4	11	17	
6J9-05	1/2"X20	1/2"X20			26.6	43.7	14	19	
6J9-06	9/16"X18	9/16"X18			27.7	46	14	22	
6J9-08	3/4"X16	3/4"X16			34.5	53.5	19	24	
6J9-10	7/8"X14	7/8"X14			39.6	60.7	22	30	
6J9-12	1.1/16"X12	1.1/16"X12			45.2	67.8	27	36	
6J9-14	1.3/16"X12	1.3/16"X12			48.2	69.5	30	38	
6J9-16	1.5/16"X12	1.5/16"X12			50	71	33	41	
6J9-20	1.5/8"X12	1.5/8"X12			57.5	79.2	41	50	
6J9-24	1.7/8"X12	1.7/8"X12			63.1	80.9	48	55	