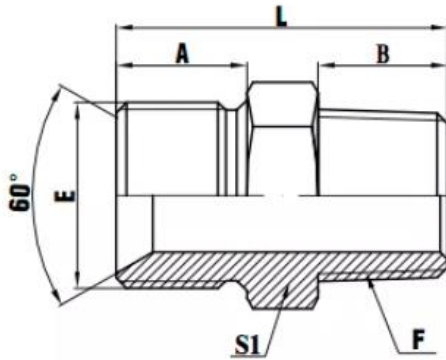


1BT BSP MALE DOUBLE FOR 60°SEAT BONDED SEAL/BSPT MALE bsp thread tube fitting .



1BT

英管外螺纹60° 内锥或六角端面
组合垫密封/英锥管外螺纹
**BSP MALE DOUBLE FOR 60° SEAT
BONDED SEAL/BSPT MALE**

代号 PART NO.	螺纹 THREADE		尺寸 DIMENSIONS				
	E	F	A	B	S1	L	
1BT-02	G1/8"X28	R1/8"X28	10	10	14	26	
1BT-02-04	G1/8"X28	R1/4"X19	10	14	14	30	
1BT-04	G1/4"X19	R1/4"X19	12	14	19	32	
1BT-04-02	G1/4"X19	R1/8"X28	12	10	19	28	
1BT-04-06	G1/4"X19	R3/8"X19	12	14	19	32	
1BT-06	G3/8"X19	R3/8"X19	13.5	14	22	35	
1BT-06-04	G3/8"X19	R1/4"X19	13.5	14	22	35	
1BT-06-08	G3/8"X19	R1/2"X14	13.5	19	22	41	
1BT-08	G1/2"X14	R1/2"X14	16	19	27	45	
1BT-08-06	G1/2"X14	R3/8"X19	16	14	27	40	
1BT-08-12	G1/2"X14	R3/4"X14	16	19.5	27	45	
1BT-10-08	G5/8"X14	R1/2"X14	17.5	19	30	45	
1BT-10-12	G5/8"X14	R3/4"X14	17.5	19.5	30	47	
1BT-12	G3/4"X14	R3/4"X14	18.5	19.5	32	48	
1BT-12-08	G3/4"X14	R1/2"X14	18.5	19	32	47	
1BT-12-16	G3/4"X14	R1"X11	18.5	24	36	53	
1BT-16	G1"X11	R1"X11	20.5	24	41	58	
1BT-16-12	G1"X11	R3/4"X14	20.5	19.5	41	53	
1BT-16-20	G1"X11	R1.1/4"X11	20.5	25	46	59	
1BT-20	G1.1/4"X11	R1.1/4"X11	20.5	25	50	62	
1BT-20-16	G1.1/4"X11	R1"X11	20.5	24	50	61	
1BT-20-24	G1.1/4"X11	R1.1/2"X11	20.5	25	50	62	
1BT-24	G1.1/2"X11	R1.1/2"X11	23	25	55	65	
1BT-24-16	G1.1/2"X11	R1"X11	23	24	55	61	
1BT-24-20	G1.1/2"X11	R1.1/4"X11	23	25	55	65	
1BT-24-32	G1.1/2"X11	R2"X11	23	29	65	69	
1BT-32	G2"X11	R2"X11	25.5	29	70	72	
1BT-32-24	G2"X11	R1.1/2"X11	25.5	25	70	68	