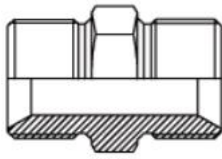


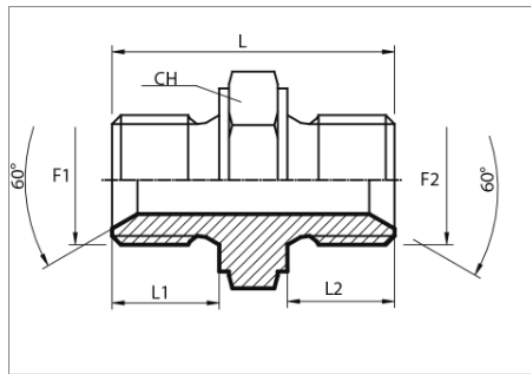
B

MALE CONNECTOR
m BSP X m BSP



Part No.	Thread			
	E	F		
B02	G1/8"X28	G1/8"X28		
B0402	G1/4"X19	G1/8"X28		
B04	G1/4"X19	G1/4"X19		
B0604	G3/8"X19	G1/4"X19		
B06	G3/8"X19	G3/8"X19		
B0806	G1/2"X14	G3/8"X19		
B08	G1/2"X14	G1/2"X14		
B1008	G5/8"X14	G1/2"X14		
B10	G5/8"X14	G5/8"X14		
B1208	G3/4"X14	G1/2"X14		
B12	G3/4"X14	G3/4"X14		
B1612	G1"X11	G3/4"X14		
B16	G1"X11	G1"X11		
B2016	G1 1/4"X11	G1"X11		
B20	G1 1/4"X11	G1 1/4"X11		
B2420	G1 1/1"X11	G1 1/4"X11		
B24	G1 1/1"X11	G1 1/1"X11		
B3224	G2"X11	G1 1/1"X11		
B32	G2"X11	G2"X11		

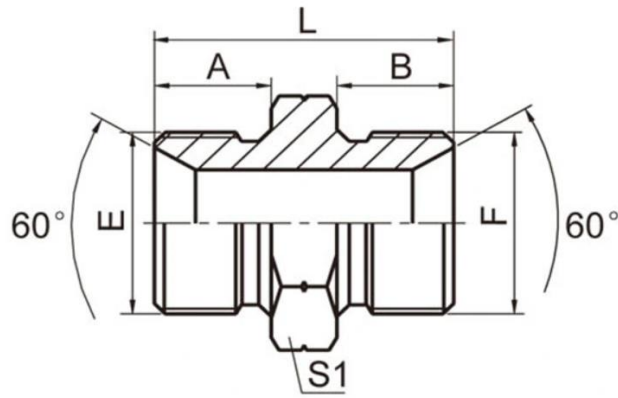
ADAPTER BSPP MALE



Didascalìa:
F1 BSPP F2 BSPP

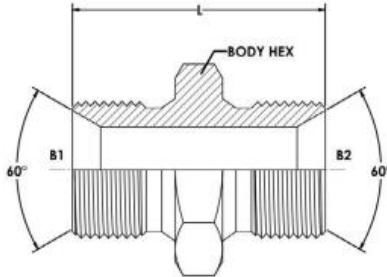


THREAD		CH	L	L1	L2	PRESSURE PN	
Thread F1	Thread F2	mm	mm	mm	mm	bar	psi
1/8"	1/8"	14	25	9,5	9,5	350	5075
1/4"	1/4"	19	29	11	11	350	5075
3/8"	3/8"	22	34	12,5	12,5	350	5075
1/2"	1/2"	27	38	14	14	315	4568
5/8"	5/8"	30	42	16	16	315	4568
3/4"	3/4"	32	42	16	16	250	3625
1"	1"	41	48	18	18	200	2900
1.1/4"	1.1/4"	50	54	20	20	160	2320
1.1/2"	1.1/2"	55	57	21	21	125	1813
2"	2"	70	67	25	25	80	1160



PART NO.	THREAD		DIMENSION			
	E	F	A	B	L	S1
1B-02	G1/8"X28	G1/8"X28	10	10	26	14
1B-02-04	G1/8"X28	G1/4"X19	10	12	28	19
1B-02-06	G1/8"X28	G3/8"X19	10	13.5	31.5	22
1B-02-08	G1/8"X28	G1/2"X14	10	16	36	27
1B-04	G1/4"X19	G1/4"X19	12	12	30	19
1B-04-06	G1/4"X19	G3/8"X19	12	13.5	33.5	22
1B-04-08	G1/4"X19	G1/2"X14	12	16	38	27
1B-04-10	G1/4"X19	G5/8"X14	12	17.5	39.5	30
1B-06	G3/8"X19	G3/8"X19	13.5	13.5	33	22
1B-06-08	G3/8"X19	G1/2"X14	13.5	16	39.5	27
1B-06-10	G3/8"X19	G5/8"X14	13.5	17.5	42	30
1B-06-12	G3/8"X19	G3/4"X14	13.5	18.5	43	32
1B-08	G1/2"X14	G1/2"X14	16	16	42	27
1B-08-10	G1/2"X14	G5/8"X14	16	17.5	43.5	30
1B-08-12	G1/2"X14	G3/4"X14	16	18.5	45.5	32
1B-10	G5/8"X14	G5/8"X14	17.5	17.5	45	30
1B-10-12	G5/8"X14	G3/4"X14	17.5	18.5	47	32
1B-10-16	G5/8"X14	G1"X11	17.5	20.5	51.5	41
1B-12	G3/4"X14	G3/4"X14	18.5	18.5	48	32
1B-12-16	G3/4"X14	G1"X11	18.5	20.5	52.5	41
1B-12-20	G3/4"X14	G1.1/4"X11	18.5	20.5	56	50
1B-16	G1"X11	G1"X11	20.5	20.5	54	41
1B-16-20	G1"X11	G1.1/4"X11	20.5	20.5	58	50
1B-16-24	G1"X11	G1.1/2"X11	20.5	23	60.5	55
1B-20	G1.1/4"X11	G1.1/4"X11	20.5	20.5	58	50
1B-20-24	G1.1/4"X11	G1.1/2"X11	20.5	23	60.5	55
1B-24	G1.1/2"X11	G1.1/2"X11	23	23	63	55
1B-24-32	G1.1/2"X11	G2"X11	23	25.5	66.5	70
1B-32	G2"X11	G2"X11	25.5	25.5	68	70
1B-40	G2.1/2"X11	G2.1/2"X11	32	32	81	90
1B-48	G3"X11	G3"X11	36	36	92	100

60-6000 - (9022)



DESCRIPTION:

Equal BSPP Male x BSPP Male 60 Deg Cone

UK SERIES:

60-6000

US SERIES:

9022

THREAD TYPE B1:

MALE BSPP WITH 60 DEGREE SEAT

THREAD SPECIFICATION B1:

60 DEG SEAT SWIVEL CONNECTION

THREAD TYPE B2:

MALE BSPP WITH 60 DEGREE SEAT

THREAD SPECIFICATION B2:

60 DEG SEAT SWIVEL CONNECTION

BODY MATERIAL:

STEEL

Item	THREAD SIZE B1	THREAD DRILL B1 (MM)	THREAD SIZE B2	THREAD DRILL B2 (MM)
60-6000-02-02	1/8-28	4.0	1/8-28	4.0
60-6000-04-02	1/4-19	4.7	1/8-28	3.5
60-6000-04-04	1/4-19	6.0	1/4-19	6.0
60-6000-06-02	3/8-19	9.0	1/8-28	4.0
60-6000-06-04	3/8-19	9.0	1/4-19	6.0
60-6000-06-06	3/8-19	9.0	3/8-19	9.0
60-6000-08-02	1/2-14	11.1	1/8-28	
60-6000-08-04	1/2-14	11.5	1/4-19	6.0
60-6000-08-06	1/2-14	11.5	3/8-19	9.0
60-6000-08-08	1/2-14	11.5	1/2-14	11.5
60-6000-10-04	5/8-14	14.3	1/4-19	4.7
60-6000-10-06	5/8-14	15.1	3/8-19	9.5
60-6000-10-08	5/8-14	15.0	1/2-14	12.7
60-6000-10-10	5/8-14	13.0	5/8-14	13.0
60-6000-12-04	3/4-14		1/4-19	
60-6000-12-06	3/4-14	17.0	3/8-19	9.0
60-6000-12-08	3/4-14	17.0	1/2-14	11.5
60-6000-12-10	3/4-14	17.0	5/8-14	13.0
60-6000-12-12	3/4-14	17.0	3/4-14	17.0
60-6000-16-04	1-11		1/4-19	
60-6000-16-06	1-11	22.0	3/8-19	9.0
60-6000-16-08	1-11	22.0	1/2-14	11.5
60-6000-16-10	1-11	22.2	5/8-14	15.2
60-6000-16-12	1-11	22.0	3/4-14	17.0
60-6000-16-16	1-11	22.0	1-11	22.0
60-6000-20-04	1-1/4-11		1/4-19	
60-6000-20-06	1-1/4-11		3/8-19	
60-6000-20-08	1-1/4-11		1/2-14	
60-6000-20-10	1-1/4-11		5/8-14	
60-6000-20-12	1-1/4-11	30.0	3/4-14	17.0
60-6000-20-16	1-1/4-11	30.3	1-11	22.2
60-6000-20-20	1-1/4-11	30.0	1-1/4-11	30.0
60-6000-24-04	1-1/2-11		1/4-19	
60-6000-24-06	1-1/2-11		3/8-19	
60-6000-24-08	1-1/2-11		1/2-14	
60-6000-24-10	1-1/2-11		5/8-14	
60-6000-24-12	1-1/2-11		3/4-14	
60-6000-24-16	1-1/2-11	36.0	1-11	22.2
60-6000-24-20	1-1/2-11	33.0	1-1/4-11	30.0
60-6000-24-24	1-1/2-11	33.0	1-1/2-11	33.0

Item	THREAD SIZE B1	THREAD DRILL B1 (MM)	THREAD SIZE B2	THREAD DRILL B2 (MM)
60-6000-32-04	2-11		1/4-19	
60-6000-32-06	2-11		3/8-19	
60-6000-32-08	2-11		1/2-14	
60-6000-32-10	2-11		5/8-14	
60-6000-32-12	2-11		3/4-14	
60-6000-32-16	2-11	46.0	1-11	22.2
60-6000-32-20	2-11	46.0	1-1/4-11	28.6
60-6000-32-24	2-11	46.0	1-1/2-11	33.3
60-6000-32-32	2-11	45.0	2-11	45.0
60-6000-40-16	2-1/2-11		1-11	
60-6000-40-20	2-1/2-11		1-1/4-11	
60-6000-40-24	2-1/2-11		1-1/2-11	
60-6000-40-32	2-1/2-11		2-11	
60-6000-40-40	2-1/2-11	54.0	2-1/2-11	58.0
60-6000-60-32	3-11		2-11	
60-6000-60-40	3-11		2-1/2-11	
60-6000-60-60	3-11		3-11	
60-6000-100-32	4-11		2-11	
60-6000-100-60	4-11		3-11	
60-6000-100-100	4-11		4-11	