

Description:

**ADJUSTABLE MALE SAE TO  
FEMALE PIPE SWIVEL 90°  
6901**

Part No.:

Parker:

2507

Weatherhead:

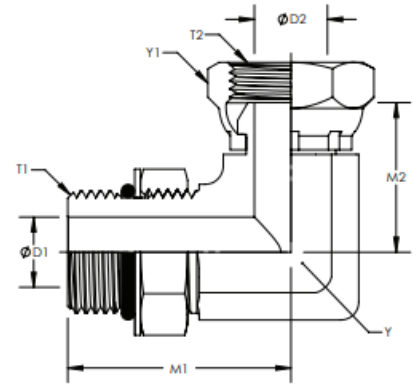
9515

Aeroquip:

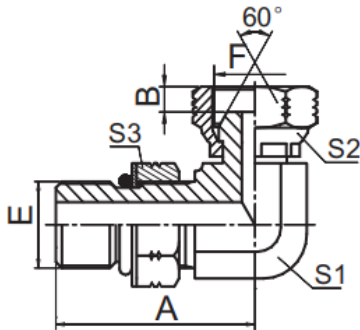
2068-[R]

Gates:

MB-FPX90



Item #	Y Hex	Y1 Hex	T1	M1	D1	T2	M2	D2
9-6901-4-4	0.563	0.688	7/16-20	1.190	0.172	1/4-18	0.880	0.220
9-6901-6-4	0.563	0.688	9/16-18	1.250	0.297	1/4-18	0.880	0.220
9-6901-6-6	0.563	0.875	9/16-18	1.250	0.297	3/8-18	0.900	0.340
9-6901-6-8	0.750	1.000	9/16-18	1.320	0.297	1/2-14	1.110	0.460
9-6901-8-4	0.750	0.688	3/4-16	1.450	0.391	1/4-18	0.970	0.220
9-6901-8-6	0.750	0.875	3/4-16	1.450	0.391	3/8-18	0.990	0.340
9-6901-8-8	0.750	1.000	3/4-16	1.450	0.391	1/2-14	1.110	0.460
9-6901-8-12	1.063	1.250	3/4-16	1.620	0.391	3/4-14	1.300	0.635
9-6901-10-8	0.875	1.000	7/8-14	1.700	0.484	1/2-14	1.110	0.460
9-6901-10-12	1.063	1.250	7/8-14	1.780	0.484	3/4-14	1.300	0.635
9-6901-12-8	1.063	1.000	1-1/16-12	1.940	0.609	1/2-14	1.300	0.460
9-6901-12-12	1.063	1.250	1-1/16-12	1.940	0.609	3/4-14	1.300	0.635
9-6901-12-16	1.313	1.500	1-1/16-12	2.050	0.609	1-11-1/2	1.540	0.831
9-6901-16-12	1.313	1.250	1-5/16-12	2.050	0.844	3/4-14	1.430	0.635
9-6901-16-16	1.313	1.500	1-5/16-12	2.050	0.844	1-11-1/2	1.540	0.831
9-6901-20-16	1.625	1.500	1-5/8-12	2.250	1.078	1-11-1/2	1.700	0.831
9-6901-20-20	1.625	1.875	1-5/8-12	2.250	1.078	1-1/4-11-1/2	1.730	1.087

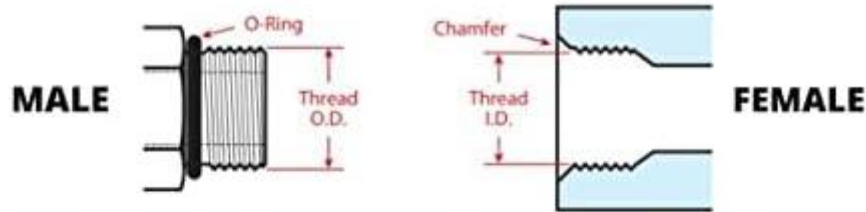


## 20U9-OG

90° 弯 SAE 外螺纹带 O 形圈轻系列  
ISO 11926-3 / 美制 NPSM 内螺纹 60° 外锥  
90° ELBOW SAE O-RING BOSS L-SERIES ISO  
11926-3 / NPSM FEMALE 60° CONE

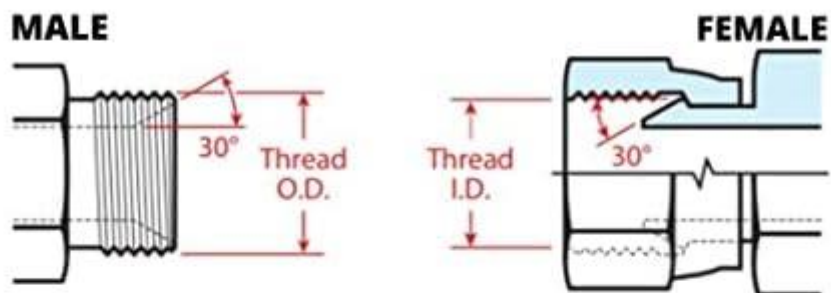
代号 PART NO.	螺纹 THREAD		O 形圈 O-RING		尺寸 DIMENSIONS				
	E	F	E 端		A	B	S1	S2	S3
20U9-04-02OG	7/16"X20	1/8"X27	O904		27.2	3.5	11	15	17
20U9-04OG	7/16"X20	1/4"X18	O904		27.2	4.6	11	19	17
20U9-04-06OG	7/16"X20	3/8"X18	O904		30	6	14	22	17
20U9-06-04OG	9/16"X18	1/4"X18	O906		32	4.6	14	19	19
20U9-06OG	9/16"X18	3/8"X18	O906		33	6	16	22	19
20U9-06-08OG	9/16"X18	1/2"X14	O906		34.5	7.5	19	27	19
20U9-08-06OG	3/4"X16	3/8"X18	O908		37.5	6	19	22	24
20U9-08OG	3/4"X16	1/2"X14	O908		37.5	7.5	19	27	24
20U9-10-08OG	7/8"X14	1/2"X14	O910		44	7.5	22	27	27
20U9-12OG	1.1/16"X12	3/4"X14	O912		51	8.9	27	32	32
20U9-16OG	1.5/16"X12	1"X11.5	O916		54.5	10.5	33	41	41
20U9-20OG	1.5/8"X12	1.1/4"X11.5	O920		59.5	11.2	41	50	50
20U9-24OG	1.7/8"X12	1.1/2"X11.5	O924		65	11.2	48	55	55

## ORB THREAD GUIDE



Nominal Port Size	Dash Size	Nominal Thread Size	Male Thread O.D.	Female Thread I.D.
1/8"	-02	5/16 - 24	5/16 (0.31")	9/32 (0.27")
3/16"	-03	3/8 - 24	3/8 (0.38")	11/32 (0.34")
1/4"	-04	7/16 - 20	7/16 (0.44")	13/32 (0.39")
5/16"	-05	1/2 - 20	1/2 (0.50")	15/32 (0.45")
3/8"	-06	9/16 - 18	9/16 (0.56")	17/32 (0.51")
1/2"	-08	3/4 - 16	3/4 (0.75")	11/16 (0.69")
5/8"	-10	7/8 - 14	7/8 (0.88")	13/16 (0.81")
3/4"	-12	1 1/16 - 12	1 1/16 (1.06")	1 (0.98")
7/8"	-14	1 3/16 - 12	1 3/16 (1.19")	1 1/8 (1.10")
1"	-16	1 5/16 - 12	1 5/16 (1.31")	1 1/4 (1.23")
1 1/4"	-20	1 5/8 - 12	1 5/8 (1.63")	1 9/16 (1.54")
1 1/2"	-24	1 7/8 - 12	1 7/8 (1.88")	1 13/16 (1.79")
2"	-32	2 1/2 - 12	2 1/2 (2.50")	2 7/16 (2.42")

## NPSM THREAD GUIDE



Inch Size	Dash Size	Nominal Thread Size	Male Thread O.D.	Female Thread I.D.
1/8	-02	1/8 - 27	13/32 (0.41")	3/8 (0.38")
1/4	-04	1/4 - 18	17/32 (0.54")	1/2 (0.49")
3/8	-06	3/8 - 18	11/16 (0.68")	5/8 (0.63")
1/2	-08	1/2 - 14	27/32 (0.84")	25/32 (0.77")
3/4	-12	3/4 - 14	1 1/16 (1.05")	1 (0.98")
1	-16	1 - 11 1/2	1 5/16 (1.32")	1 1/4 (1.24")
1 1/4	-20	1 1/4 - 11 1/2	1 21/32 (1.66")	1 19/32 (1.58")
1 1/2	-24	1 1/2 - 11 1/2	1 29/32 (1.90")	1 13/16 (1.82")
2	-32	2 - 11 1/2	2 3/8 (2.38")	2 5/16 (2.30")