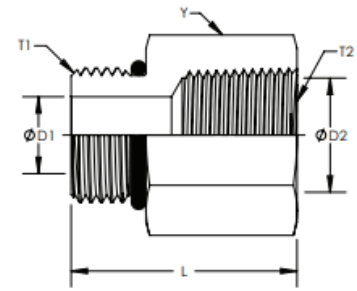


Description:  
Part No.:

**STRAIGHT THREAD O RING ADAPTER**  
**6405**

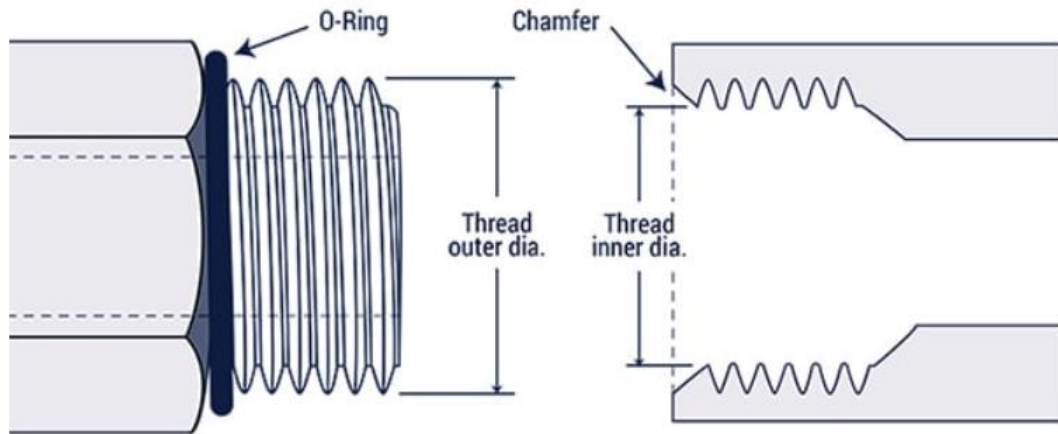
Parker:  
Weatherhead:  
Aeroquip:  
Gates:

F5OG  
3269  
2216-[R]  
MB-FP

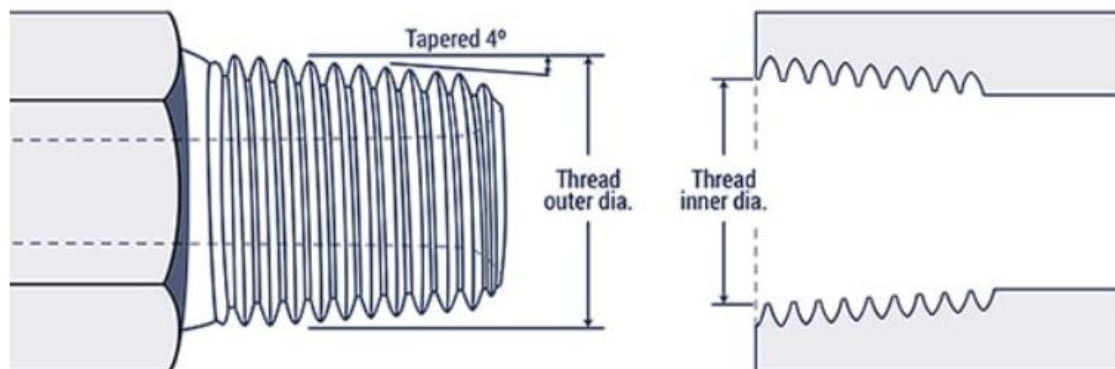


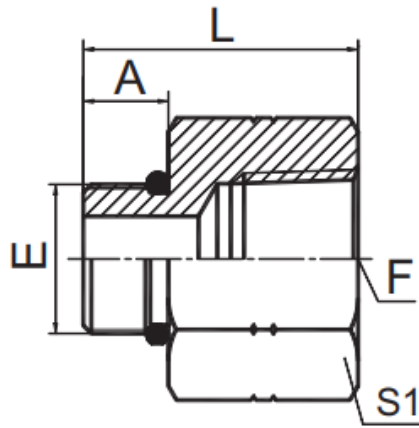
Item #	Y Hex	T1	D1	T2	D2	L
9-6405-4-4	0.750	7/16-20	0.172	1/4-18	0.438	1.205
9-6405-5-4	0.750	1/2-20	0.234	1/4-18	0.438	1.205
9-6405-6-4	0.750	9/16-18	0.297	1/4-18	0.438	1.235
9-6405-6-6	0.875	9/16-18	0.297	3/8-18	0.563	1.301
9-6405-6-8	1.125	9/16-18	0.297	1/2-14	0.703	1.642
9-6405-8-4	0.875	3/4-16	0.391	1/4-18	0.438	1.331
9-6405-8-6	0.875	3/4-16	0.391	3/8-18	0.563	1.341
9-6405-8-8	1.125	3/4-16	0.391	1/2-14	0.703	1.572
9-6405-10-8	1.125	7/8-14	0.484	1/2-14	0.703	1.632
9-6405-10-12	1.375	7/8-14	0.484	3/4-14	0.906	1.700
9-6405-12-8	1.250	1-1/16-12	0.609	1/2-14	0.703	1.780
9-6405-12-12	1.375	1-1/16-12	0.609	3/4-14	0.906	1.790
9-6405-14-12	1.375	1-3/16-12	0.719	3/4-14	0.906	1.764
9-6405-16-12	1.500	1-5/16-12	0.844	3/4-14	0.906	1.803
9-6405-16-16	1.625	1-5/16-12	0.844	1-11-1/2	1.141	2.033
9-6405-20-16	1.875	1-5/8-12	1.078	1-11-1/2	1.141	2.106
9-6405-20-20	2.000	1-5/8-12	1.078	1-1/4-11-1/2	1.484	2.126
9-6405-24-24	2.375	1-7/8-12	1.313	1-1/2-11-1/2	1.744	2.131

**SAE Straight Thread O-Ring (ORB)**



**National Pipe Thread (NPT):**





## 50N

美制 SAE 外螺纹带 O 形圈  
 轻系列 ISO 11926-3 / 布锥管内螺纹  
 SAE O-RING BOSS L-SERIES  
 ISO 11926-3 / NPT FEMALE

代号 PART NO.	螺纹 THREAD		O 形圈 O-RING		尺寸 DIMENSIONS			
	E	F	E 端		A	L	S1	
50N-02	5/16"X24	Z1/8"X27	O902		7.54	24.5	17	
50N-02-04	5/16"X24	Z1/4"x18	O902		7.54	29	19	
50N-03-02	3/8"X24	Z1/8"X27	O903		7.54	24.5	17	
50N-03-04	3/8"X24	Z1/4"x18	O903		7.54	29	19	
50N-04-02	7/16"X20	Z1/8"X27	O904		9.1	24.5	17	
50N-04	7/16"X20	Z1/4"x18	O904		9.1	30.5	19	
50N-04-06	7/16"X20	Z3/8"x18	O904		9.1	30.7	24	
50N-05-02	1/2"X20	Z1/8"X27	O905		9.1	26	17	
50N-06-04	9/16"X18	Z1/4"x18	O906		9.9	31.5	19	
50N-08-04	3/4"X16	Z1/4"x18	O908		11.1	32.5	22	
50N-08-06	3/4"X16	Z3/8"x18	O908		11.1	34	22	
50N-08	3/4"X16	Z1/2"X14	O908		11.1	40	30	
50N-08-12	3/4"X16	Z3/4"x14	O908		11.1	40.1	36	
50N-10-08	7/8"X14	Z1/2"x14	O910		12.7	41.5	30	
50N-10-06	7/8"X14	Z3/8"x18	O910		12.7	35.5	27	
50N-10-12	7/8"X14	Z3/4"x14	O910		12.7	41	36	
50N-12-08	1.1/16"X12	Z1/2"x14	O912		15.1	42	32	
50N-12	1.1/16"X12	Z3/4"x14	O912		15.1	45.5	36	
50N-12-16	1.1/16"X12	Z1"X11.5	O912		15.1	50.5	41	
50N-16-12	1.5/16"X12	Z3/4"x14	O916		15.1	43	38	
50N-16	1.5/16"X12	Z1"X11.5	O916		15.1	51.5	41	
50N-20-16	1.5/8"X12	Z1"X11.5	O920		15.1	40	50	
50N-20	1.5/8"X12	Z1.1/4"X11.5	O920		15.1	53.5	50	