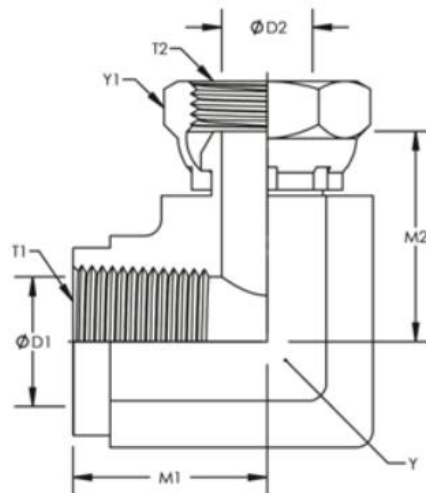


7NU9-S

90° 弯布锥管内螺纹 / 美制 NPSM 内螺纹 60° 外锥
 90° ELBOW NPT FEMALE / NPSM FEMALE 60° CONE

代号 PART NO.	螺纹 THREAD		尺寸 DIMENSIONS				
	E	F	A	B	S1	S2	
7NU9-04S	Z1/4"X18	1/4"X18	22.5	4.6	19	19	
7NU9-06S	Z3/8"X18	3/8"X18	25	6	24	22	
7NU9-08S	Z1/2"X14	1/2"X14	31.2	7.5	30	27	
7NU9-12S	Z3/4"X14	3/4"X14	34.5	8.9	33	32	
7NU9-16S	Z1"X11.5	1"X11.5	41	10.5	41	41	



Product ID	Y HEX	Y1 HEX	T1	M1	D1	T2	M2	D2
1502-02-02	0.563	0.563	1/8-27	0.66	0.332	1/8-27	0.8	0.15
1502-04-04	0.75	0.688	1/4-18	0.88	0.438	1/4-18	0.99	0.22
1502-06-06	0.875	0.875	3/8-18	1.02	0.563	3/8-18	1.06	0.34
1502-08-08	1.063	1	1/2-14	1.23	0.703	1/2-14	1.24	0.46
1502-12-12	1.313	1.25	3/4-14	1.36	0.906	3/4-14	1.47	0.635
1502-16-16	1.625	1.5	1-11-1/2	1.62	1.141	1-11-1/2	1.73	0.831