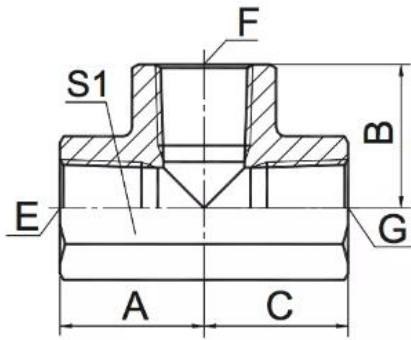


Female Pipe Tee GN Female pipe thread (all three ends) female tee fittings hydraulic adapter.

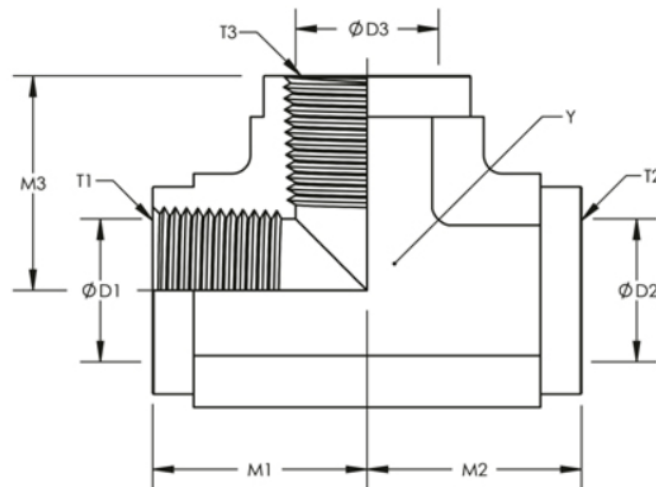


GN-PK

布锥管内螺纹三通

代 号	螺 纹			尺 寸					
	E	F	G	A	B	C	S1		
GN-02PK	Z1/8"X27	Z1/8"X27	Z1/8"X27	20	20	20	16		
GN-04PK	Z1/4"X18	Z1/4"X18	Z1/4"X18	22.5	22.5	22.5	19		
GN-06PK	Z3/8"X18	Z3/8"X18	Z3/8"X18	26	26	26	24		
GN-08PK	Z1/2"X14	Z1/2"X14	Z1/2"X14	31	31	31	27		
GN-12PK	Z3/4"X14	Z3/4"X14	Z3/4"X14	34	34	34	33		
GN-16PK	Z1"X11.5	Z1"X11.5	Z1"X11.5	42	42	42	41		
GN-20PK	Z1.1/4"X11.5	Z1.1/4"X11.5	Z1.1/4"X11.5	48	48	48	50		
GN-24PK	Z1.1/2"X11.5	Z1.1/2"X11.5	Z1.1/2"X11.5	53	53	53	60		
GN-32PK	Z2"X11.5	Z2"X11.5	Z2"X11.5	62	62	62	70		

Dimensional Drawings:



Product ID	Y HEX	T1	M1	D1	T2	M2	D2	T3	M3	D3
SS-5605-02-02-02	0.563	1/8-27	0.66	0.332	1/8-27	0.66	0.332	1/8-27	0.66	0.33
SS-5605-04-04-04	0.75	1/4-18	0.88	0.438	1/4-18	0.88	0.438	1/4-18	0.88	0.43
SS-5605-06-04-06	0.875	3/8-18	1.02	0.563	1/4-18	1.01	0.438	3/8-18	1.02	0.56
SS-5605-06-06-06	0.875	3/8-18	1.02	0.563	3/8-18	1.02	0.563	3/8-18	1.02	0.56
SS-5605-08-08-08	1.063	1/2-14	1.23	0.703	1/2-14	1.23	0.703	1/2-14	1.23	0.70
SS-5605-12-12-12	1.313	3/4-14	1.36	0.906	3/4-14	1.36	0.906	3/4-14	1.36	0.90
SS-5605-16-16-16	1.625	1-11-1/2	1.62	1.141	1-11-1/2	1.62	1.141	1-11-1/2	1.62	1.14
SS-5605-20-20-20	1.875	1-1/4-11-1/2	1.7	1.484	1-1/4-11-1/2	1.7	1.484	1-1/4-11-1/2	1.7	1.48
SS-5605-24-24-24	2.562	1-1/2-11-1/2	2.08	1.744	1-1/2-11-1/2	2.08	1.744	1-1/2-11-1/2	2.08	1.74
SS-5605-32-32-32	2.812	2-11-1/2	2.39	2.213	2-11-1/2	2.39	2.213	2-11-1/2	2.39	2.21