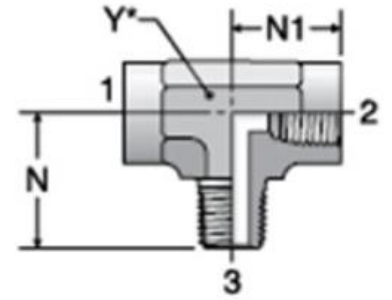


MMS

Male Branch Tee NPTF (all three ends)



SAE 140425
HPD Base # 212T

TUBE FITTING PART #	END SIZE	N (in.)	N1 (in.)	Y (in.)	Dynamic Pressure (x 1,000 PSI)		
					1-3 NPTF	-S	-SS
	1/8 MMS				1/8 - 27	0.78	0.66
1/4 MMS	1/4 - 18	1.09	0.88	3/4	5.0	5.0	3.2
3/8 MMS	3/8 - 18	1.22	1.02	7/8	4.5	4.5	3.0
1/2 MMS	1/2 - 14	1.47	1.23	1 1/16	3.0	3.0	1.9
3/4 MMS	3/4 - 14	1.59	1.36	1 5/16	3.0	3.0	1.9
1 MMS	1 - 11 1/2	1.97	1.62	1 5/8	1.8	1.8	1.1

Male Branch Tee 5604 Male pipe thread / female pipe thread SAE 140425 hose fittings types.

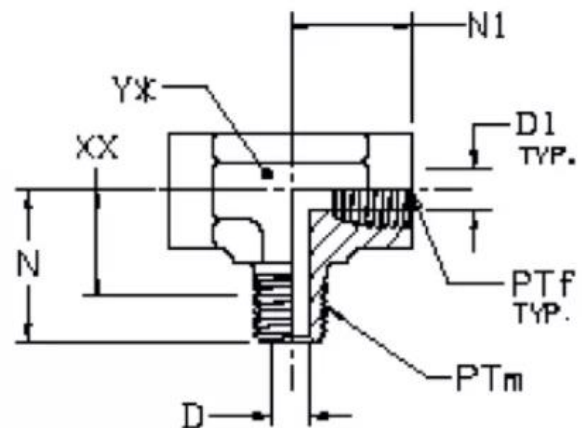
Male Branch Tee

5604

Male pipe thread / female pipe thread
SAE 140425

Parker Number Information
MMS

All dimensions are in inches
*Y—ACROSS WRENCH FLATS



TUBE FITTING PART #	PTm PORT THD NPTF	PTf PORT THD NPTF	D DRILL (inch)	REF D1 DRILL (inch)	N (inch)	N1 (inch)	Y (inch)
5604-2-2-2	1/8-27	1/8-27	0.188	0.328	0.78	0.66	9/16
5604-4-4-4	1/4-18	1/4-18	0.281	0.422	1.09	0.88	3/4
5604-6-6-6	3/8-18	3/8-18	0.406	0.563	1.22	1.02	7/8
5604-8-8-8	1/2-14	1/2-14	0.531	0.688	1.47	1.23	1 1/16
5604-12-12-12	3/4-14	3/4-14	0.719	0.891	1.59	1.36	1 5/16
5604-16-16-16	1-11 1/2	1-11 1/2	0.938	1.125	1.97	1.63	1 5/8