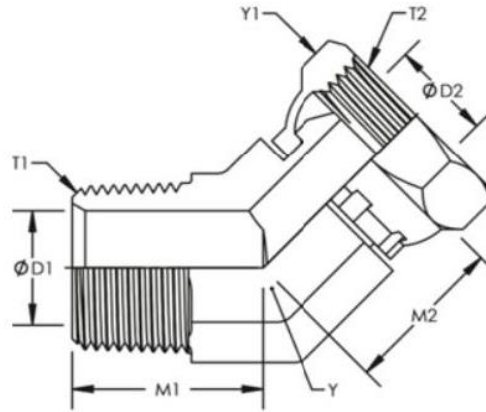


Dimensional Drawings:



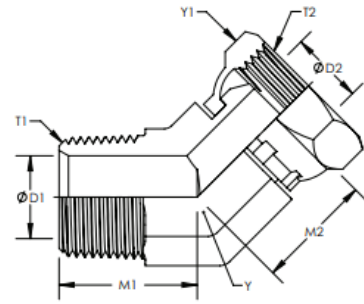
Product ID	Y HEX	Y1 HEX	T1	M1	D1	T2	M2	D2
SS-1503-02-02	0.438	0.563	1/8-27	0.52	0.188	1/8-27	0.62	0.15
SS-1503-02-04	0.563	0.688	1/8-27	0.67	0.188	1/4-18	0.73	0.22
SS-1503-04-04	0.563	0.688	1/4-18	0.86	0.281	1/4-18	0.73	0.22
SS-1503-04-06	0.75	0.875	1/4-18	0.95	0.281	3/8-18	0.81	0.34
SS-1503-06-04	0.75	0.688	3/8-18	0.95	0.406	1/4-18	0.79	0.22
SS-1503-06-06	0.75	0.875	3/8-18	0.95	0.406	3/8-18	0.81	0.34
SS-1503-06-08	0.875	1	3/8-18	0.98	0.406	1/2-14	0.88	0.46
SS-1503-08-04	0.875	0.688	1/2-14	1.17	0.531	1/4-18	0.79	0.22
SS-1503-08-06	0.875	0.875	1/2-14	1.17	0.531	3/8-18	0.81	0.34
SS-1503-08-08	0.875	1	1/2-14	1.17	0.531	1/2-14	0.88	0.46
SS-1503-08-12	1.063	1.25	1/2-14	1.2	0.531	3/4-14	1.02	0.635
SS-1503-12-08	1.063	1	3/4-14	1.2	0.719	1/2-14	1.02	0.46
SS-1503-12-12	1.063	1.25	3/4-14	1.2	0.719	3/4-14	1.02	0.635
SS-1503-12-16	1.313	1.5	3/4-14	1.29	0.719	1-11-1/2	1.15	0.831
SS-1503-16-12	1.313	1.25	1-11-1/2	1.48	0.938	3/4-14	1.04	0.635
SS-1503-16-16	1.313	1.5	1-11-1/2	1.48	0.938	1-11-1/2	1.15	0.831
SS-1503-16-20	1.625	1.875	1-11-1/2	1.64	0.938	1-1/4-11-1/2	1.23	1.087
SS-1503-20-16	1.625	1.5	1-1/4-11-1/2	1.67	1.25	1-11-1/2	1.2	0.831
SS-1503-20-20	1.625	1.875	1-1/4-11-1/2	1.67	1.25	1-1/4-11-1/2	1.23	1.087

Description:
Part No.:

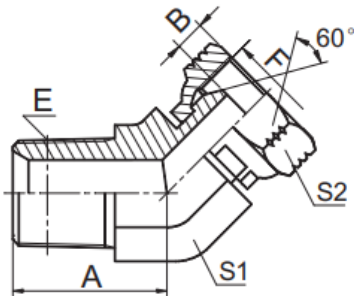
**MALE PIPE TO FEMALE PIPE SWIVEL 45°
1503**

Parker:
Weatherhead:
Aeroquip:
Gates:

3107
9355
2049-[R]
MP-FPX45



Item #	Y Hex	Y1 Hex	T1	M1	D1	T2	M2	D2
9-1503-4-4	0.563	0.688	1/4-18	0.860	0.281	1/4-18	0.730	0.220
9-1503-4-6	0.750	0.875	1/4-18	0.950	0.281	3/8-18	0.810	0.340
9-1503-6-4	0.750	0.688	3/8-18	0.950	0.406	1/4-18	0.790	0.220
9-1503-6-6	0.750	0.875	3/8-18	0.950	0.406	3/8-18	0.810	0.340
9-1503-6-8	0.875	1.000	3/8-18	0.980	0.406	1/2-14	0.880	0.460
9-1503-8-6	0.875	0.875	1/2-14	1.170	0.531	3/8-18	0.810	0.340
9-1503-8-8	0.875	1.000	1/2-14	1.170	0.531	1/2-14	0.880	0.460
9-1503-8-12	1.063	1.250	1/2-14	1.200	0.531	3/4-14	1.020	0.635
9-1503-12-8	1.063	1.000	3/4-14	1.200	0.719	1/2-14	1.020	0.460
9-1503-12-12	1.063	1.250	3/4-14	1.200	0.719	3/4-14	1.020	0.635
9-1503-12-16	1.313	1.500	3/4-14	1.290	0.719	1-11-1/2	1.150	0.831
9-1503-16-12	1.313	1.250	1-11-1/2	1.480	0.938	3/4-14	1.040	0.635
9-1503-16-16	1.313	1.500	1-11-1/2	1.480	0.938	1-11-1/2	1.150	0.831
9-1503-20-20	1.625	1.875	1-1/4-11-1/2	1.670	1.250	1-1/4-11-1/2	1.230	1.087



2NU4

45° 弯布锥管外螺纹 / 美制 NPSM 内螺纹 60° 外锥
45° ELBOW NPT MALE / NPSM FEMALE 60° CONE

代号 PART NO.	螺纹 THREAD		尺寸 DIMENSIONS				
	E	F	A	B	S1	S2	
2NU4-02	Z1/8"X27	1/8"X27	17	3.5	11	15	
2NU4-04	Z1/4"X18	1/4"x18	21	4.6	14	19	
2NU4-04-06	Z1/4"X18	3/8"x18	21	6	14	22	
2NU4-06	Z3/8"X18	3/8"x18	24	6	19	22	
2NU4-06-04	Z3/8"X18	1/4"x18	24	4.6	19	19	
2NU4-06-08	Z3/8"X18	1/2"x14	24	7.5	19	27	
2NU4-08	Z1/2"X14	1/2"x14	29.5	7.5	22	27	
2NU4-08-06	Z1/2"X14	3/8"x18	29.5	6	22	22	
2NU4-08-12	Z1/2"X14	3/4"x14	31	8.9	27	32	
2NU4-12	Z3/4"X14	3/4"x14	35	8.9	27	32	
2NU4-12-08	Z3/4"X14	1/2"x14	35	7.5	27	27	
2NU4-12-16	Z3/4"X14	1"x11.5	35.5	10.5	30	41	
2NU4-16	Z1"X11.5	1"x11.5	39	10.5	33	41	
2NU4-16-12	Z1"X11.5	3/4"x14	39	8.9	33	32	
2NU4-20	Z1.1/4"X11.5	1.1/4"x11.5	42.5	11.2	41	50	
2NU4-24	Z1.1/2"X11.5	1.1/2"x11.5	45	11.2	48	55	
2NU4-32	Z2"X11	2"x11.5	50	11.2	63	70	