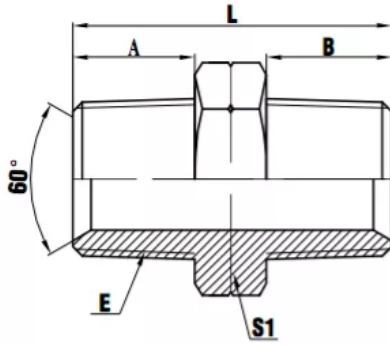


1N NPT MALE NPT fittings npt hydraulic fittings.



1N

美制布锥管外螺纹
NPT MALE

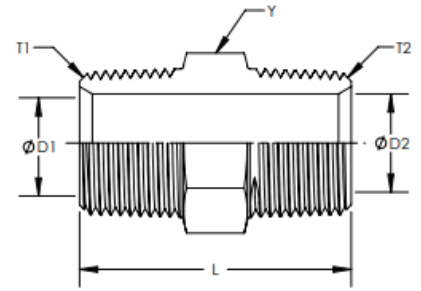
代号 PART NO.	螺纹 THREADE		尺寸 DIMENSIONS				
	E	F	A	B	S1	L	
1N-02	Z1/8"X27	Z1/8"X27	10	10	12	26	
1N-02-04	Z1/8"X27	Z1/4"X18	10	14	14	30	
1N-02-06	Z1/8"X27	Z3/8"X18	10	14	17	30	
1N-04	Z1/4"X18	Z1/4"X18	14	14	14	34	
1N-04-06	Z1/4"X18	Z3/8"X18	14	14	17	34	
1N-04-08	Z1/4"X18	Z1/2"X14	14	19	22	41.5	
1N-06	Z3/8"X18	Z3/8"X18	14	14	17	34	
1N-06-08	Z3/8"X18	Z1/2"X14	14	19	22	41	
1N-08	Z1/2"X14	Z1/2"X14	19	19	22	46	
1N-08-12	Z1/2"X14	Z3/4"X14	19	19.5	27	47	
1N-12	Z3/4"X14	Z3/4"X14	19.5	19.5	27	48	
1N-12-16	Z3/4"X14	Z1"X11.5	19.5	24	36	53	
1N-16	Z1"X11.5	Z1"X11.5	24	24	36	58	
1N-16-20	Z1"X11.5	Z1.1/4"X11.5	24	25	46	62	
1N-20	Z1.1/4"X11.5	Z1.1/4"X11.5	25	25	46	63	
1N-20-24	Z1.1/4"X11.5	Z1.1/2"X11.5	25	25	50	65	
1N-24	Z1.1/2"X11.5	Z1.1/2"X11.5	25	25	50	65	
1N-24-32	Z1.1/2"X11.5	Z2"X11.5	25	29	70	72	
1N-32	Z2"X11.5	Z2"X11.5	29	29	70	75	

Description:
Part No.:

HEXAGON PIPE NIPPLE
5404

Parker:
Weatherhead:
Aeroquip:
Gates:

FF
3069
2083
MP-MP



Part #	Y Hex	T1	D1	T2	D2	L
9-5404-4-2	0.625	1/4-18	0.281	1/8-27	0.188	1.260
9-5404-4-4	0.625	1/4-18	0.281	1/4-18	0.281	1.450
9-5404-6-4	0.750	3/8-18	0.406	1/4-18	0.281	1.450
9-5404-6-6	0.750	3/8-18	0.406	3/8-18	0.406	1.450
9-5404-8-4	0.875	1/2-14	0.531	1/4-18	0.281	1.700
9-5404-8-6	0.875	1/2-14	0.531	3/8-18	0.406	1.700
9-5404-8-8	0.875	1/2-14	0.531	1/2-14	0.531	1.890
9-5404-12-8	1.125	3/4-14	0.719	1/2-14	0.531	1.960
9-5404-12-12	1.125	3/4-14	0.719	3/4-14	0.719	1.960
9-5404-16-12	1.375	1-11-1/2	0.938	3/4-14	0.719	2.150
9-5404-16-16	1.375	1-11-1/2	0.938	1-11-1/2	0.938	2.340
9-5404-20-16	1.750	1-1/4-11-1/2	1.250	1-11-1/2	0.938	2.450
9-5404-20-16	1.750	1-1/4-11-1/2	1.250	1-1/4-11-1/2	1.250	2.480
9-5404-24-24	2.000	1-1/2-11-1/2	1.500	1-1/2-11-1/2	1.500	2.610