

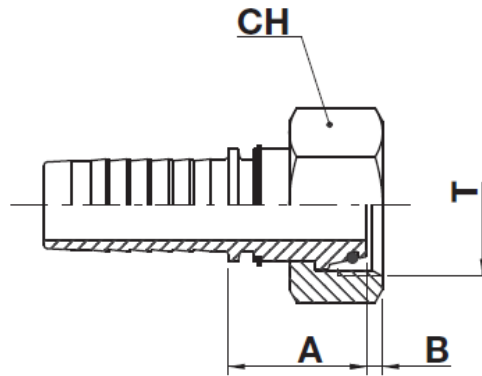
FL13B FL11B FL12B



Metric light female swivel (24° cone seat)

NO SKIVE / EXTERNAL SKIVE

ISO 8434-1 / DIN 3865



code	ø hose			T	pipe	A		B		CH		
	dn	inch	size			mm	in	mm	in	mm	in	↻ in
FL13B-03-12	5	3/16"	03	M12X1,5	L6	19,5	0,77	2,0	0,08	14,0	0,551	9/16"
FL11B-04-12	6	1/4"	04	M12X1,5	L6	20,9	0,82	2,6	0,10	16,0	0,630	5/8"
FL13B-04-14	6	1/4"	04	M14X1,5	L8	25,0	0,98	1,5	0,06	17,0	0,669	11/16"
FL13B-04-16	6	1/4"	04	M16X1,5	L10	27,5	1,08	1,5	0,06	19,0	0,748	3/4"
FL13B-04-18	6	1/4"	04	M18X1,5	L12	26,0	1,02	1,5	0,06	22,0	0,866	7/8"
FL12B-05-14	8	5/16"	05	M14X1,5	L8	21,5	0,85	1,5	0,06	17,0	0,669	11/16"
FL13B-05-16	8	5/16"	05	M16X1,5	L10	27,5	1,08	1,5	0,06	19,0	0,748	3/4"
FL13B-05-18	8	5/16"	05	M18X1,5	L12	26,0	1,02	1,5	0,06	22,0	0,866	7/8"
FL12B-06-16	10	3/8"	06	M16X1,5	L10	23,0	0,91	3,5	0,14	19,0	0,748	3/4"
FL13B-06-18	10	3/8"	06	M18X1,5	L12	26,0	1,02	1,5	0,06	22,0	0,866	7/8"
FL13B-06-22	10	3/8"	06	M22X1,5	L15	28,5	1,12	2,5	0,01	27,0	1,063	1.1/16"
FL11B-08-18	12	1/2"	08	M18X1,5	L12	28,5	1,12	3,0	0,12	22,0	0,866	7/8"
FL13B-08-22	12	1/2"	08	M22X1,5	L15	28,5	1,12	2,5	0,01	27,0	1,063	1.1/16"
FL13B-08-26	12	1/2"	08	M26X1,5	L18	30,0	1,18	2,0	0,08	32,0	1,260	1.1/4"
FL13B-10-26	16	5/8"	10	M26X1,5	L18	29,0	1,14	2,0	0,08	32,0	1,260	1.1/4"
FL13B-10-27	16	5/8"	10	M27X1,5	L18	29,0	1,14	2,0	0,08	32,0	1,260	1.1/4"
FL13B-10-30	16	5/8"	10	M30X2	L22	29,4	1,16	3,5	0,14	36,0	1,417	1.7/16"
FL12B-12-26	19	3/4"	12	M26X1,5	L18	25,5	1,00	2,0	0,08	32,0	1,260	1.1/4"
FL13B-12-30	19	3/4"	12	M30X2	L22	29,5	1,16	3,5	0,14	36,0	1,417	1.7/16"

code	ø hose			T	pipe	A		B		CH		
	dn	inch	size			mm	in	mm	in	mm	in	 in
FL13B-12-36	19	3/4"	12	M36x2	L28	30,5	1,20	3,5	0,14	41,0	1,614	1.5/8"
FL12B-16-30	25	1"	16	M30X2	L22	29,0	1,14	3,5	0,14	36,0	1,417	1.7/16"
FL13B-16-36	25	1"	16	M36X2	L28	32,0	1,26	3,5	0,14	41,0	1,614	1.5/8"
FL13B-16-45	25	1"	16	M45X2	L35	37,0	1,46	3,0	0,12	50,0	1,969	2"
FL12B-20-36	31	1.1/4"	20	M36X2	L28	36,0	1,42	4,5	0,18	41,0	1,614	1.5/8"
FL13B-20-45	31	1.1/4"	20	M45X2	L35	39,5	1,56	2,0	0,08	50,0	1,969	2"
FL12B-24-45	38	1.1/2"	24	M45X2	L35	38,0	1,50	3,0	0,12	50,0	1,969	2"
FL13B-24-52	38	1.1/2"	24	M52X2	L42	39,5	1,56	3,0	0,12	60,0	2,362	2.3/8"
FL12B-32-52	51	2"	32	M52X2	L42	46,0	1,81	4,0	0,16	60,0	2,362	2.3/8"