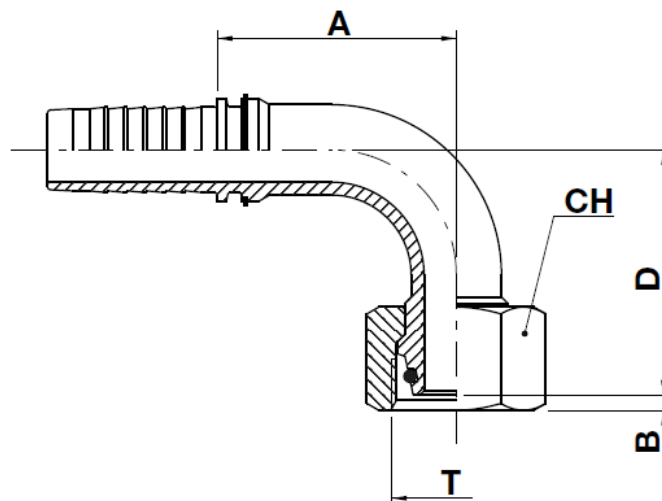


FL93B FL91B FL92B


Metric light female swivel - 90° elbow (24° cone seat)

NO SKIVE / EXTERNAL SKIVE

ISO 8434-1 / DIN 3865



code	ø hose			T	pipe	A		B		D		CH		
	dn	inch	size			mm	in	mm	in	mm	in	mm	in	↗ in
FL91B-04-12	6	1/4"	04	M12X1,5	L6	30,7	1,21	2,6	0,10	30,0	1,18	16,0	0,630	5/8"
FL93B-04-14	6	1/4"	04	M14X1,5	L8	28,0	1,10	1,5	0,06	31,0	1,22	17,0	0,669	11/16"
FL93B-04-16	6	1/4"	04	M16X1,5	L10	28,2	1,11	1,5	0,06	32,5	1,28	19,0	0,748	3/4"
FL93B-04-18	6	1/4"	04	M18X1,5	L12	29,5	1,16	1,5	0,06	34,5	1,36	22,0	0,866	7/8"
FL92B-05-14	8	5/16"	05	M14X1,5	L8	30,5	1,20	1,5	0,06	34,0	1,34	17,0	0,669	11/16"
FL93B-05-16	8	5/16"	05	M16X1,5	L10	30,5	1,20	1,5	0,06	33,0	1,30	19,0	0,748	3/4"
FL93B-05-18	8	5/16"	05	M18X1,5	L12	31,5	1,24	1,5	0,06	36,0	1,42	22,0	0,866	7/8"
FL92B-06-16	10	3/8"	06	M16X1,5	L10	34,0	1,34	3,5	0,14	39,5	1,56	19,0	0,748	3/4"
FL93B-06-18	10	3/8"	06	M18X1,5	L12	30,5	1,20	1,5	0,06	36,0	1,42	22,0	0,866	7/8"
FL93B-06-22	10	3/8"	06	M22X1,5	L15	31,5	1,24	2,5	0,10	40,0	1,57	27,0	1,063	1.1/16"
FL93B-08-22	12	1/2"	08	M22X1,5	L15	38,2	1,50	2,5	0,10	40,0	1,57	27,0	1,063	1.1/16"
FL93B-08-26	12	1/2"	08	M26X1,5	L18	39,0	1,53	2,0	0,08	49,0	1,93	32,0	1,260	1.1/4"
FL92B-10-22	16	5/8"	10	M22X1,5	L15	54,0	2,13	2,5	0,10	55,5	2,19	27,0	1,063	1.1/16"
FL93B-10-26	16	5/8"	10	M26X1,5	L18	54,0	2,13	2,0	0,08	53,0	2,09	32,0	1,260	1.1/4"
FL93B-10-27	16	5/8"	10	M27X1,5	L18	54,0	2,13	2,0	0,08	53,0	2,09	32,0	1,260	1.1/4"
FL93B-12-30	19	3/4"	12	M30X2	L22	55,5	2,19	3,5	0,14	57,0	2,24	36,0	1,417	1.7/16"
FL92B-16-30	25	1"	16	M30X2	L22	62,0	2,44	3,5	0,14	58,5	2,30	36,0	1,417	1.7/16"
FL93B-16-36	25	1"	16	M36X2	L28	74,0	2,91	3,5	0,14	69,0	2,72	41,0	1,614	1.5/8"
FL93B-16-45	25	1"	16	M45X2	L35	79,5	3,13	3,0	0,12	76,0	2,99	50,0	1,969	2"

code	ø hose			T	pipe	A		B		D		CH		
	dn	inch	size			mm	in	mm	in	mm	in	mm	in	 in
FL92B-20-36	31	1.1/4"	20	M36X2	L28	83,0	3,27	4,5	0,18	72,0	2,83	41,0	1,614	1.5/8"
FL93B-20-45	31	1.1/4"	20	M45X2	L35	85,5	3,37	2,0	0,08	83,0	3,27	50,0	1,969	2"
FL93B-20-52	31	1.1/4"	20	M52X2	L42	85,5	3,37	4,0	0,16	88,0	3,46	60,0	2,362	2.3/8"
FL92B-24-45	38	1.1/2"	24	M45X2	L35	89,6	3,53	3,0	0,12	84,0	3,30	50,0	1,969	2"
FL93B-24-52	38	1.1/2"	24	M52X2	L42	103,0	4,05	3,0	0,12	95,5	3,76	60,0	2,362	2.3/8"