

Make it Happen!!

www.fluidco.co.za



Mini Power Pack Spares Catalogue

FLUIDCO
HYDRAULIC SYSTEMS



THV | The
Hose
Van

www.thehosevan.co.za

ODF
www.odfpumps.com

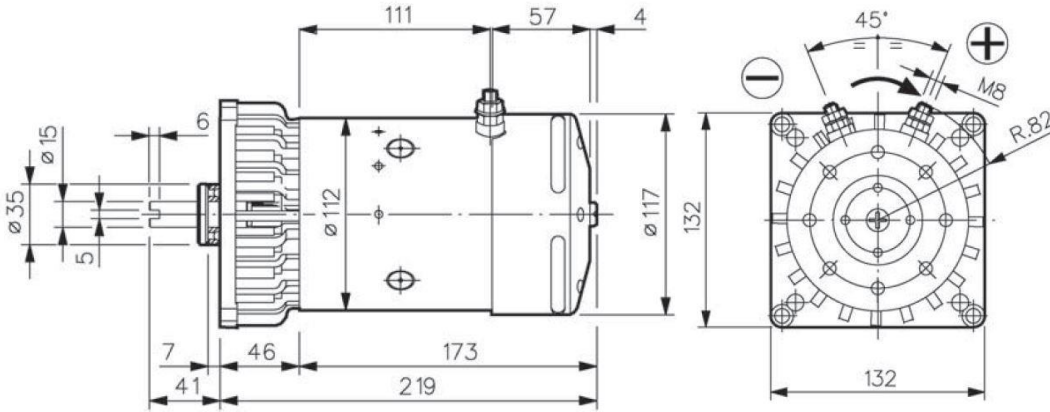
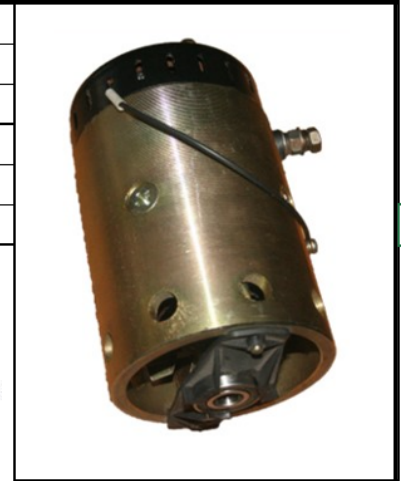
Fluidco - Mini Power Pack Spares Catalogue - Page Index

Description	PG NR
Electric Motors	1
EM - Starting Switches for DC Motors	1
EM - Motor Frame Mounting Kits	2
Assembly Heads	3
Aluminium Manifold Blocks	3
Tanks	4
Tank - Pipe Kits	4
Tank - Breathers	5
Tank - Foot Bracket for MR2 Head	5
Gear Pumps	5
GP - Gr1 Covers	6
Various Mini Power Pack Spares	6+7
Special Stab-A-Load Double Solenoid Block	7

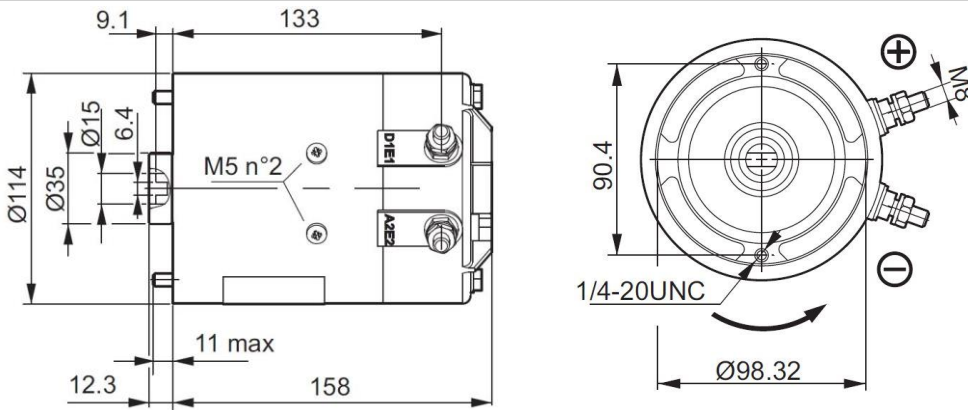
Mini Power Pack Spares Catalogue

Electric Motors - Our M-Pack uses ACW motors!

	Standard 12VDC ACW Electric Motor plus Fan
M-MOT-12VDC-LF	Standard Electric Motor, DC 12V plus Fan Cooled
	For Gr1 Pumps, 1.50kW, ACW Rotation
	Standard 24VDC ACW Electric Motor plus Fan
M-MOT-24VDC-LF	Standard Electric Motor, DC 24V plus Fan Cooled
	For Gr1 Pumps, 2.00kW, ACW Rotation

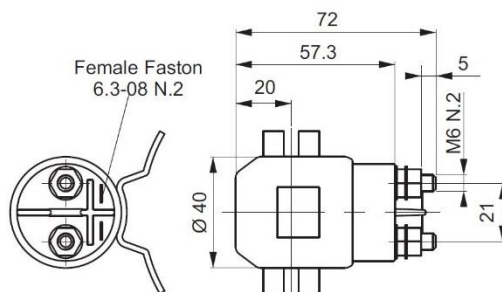


	Standard 12VDC ACW Electric Motor
M-MOT-12VDC-L	Standard Electric Motor, DC 12V, for Gr1 Pumps
	1.60kW, 230A, 5.0Nm, 2600Rpm, 1600W
	Standard 24VDC ACW Electric Motor
M-MOT-24VDC-L	Standard Electric Motor, DC 24V, for Gr1 Pumps
	2.20kW, 140A, 8.5Nm, 2200Rpm, 2200W



Starting Switches - for DC Motors only!

	DC Motor 12VDC Starting Switch
M-SOL-12VDC	DC 12V Starting Switch Solenoid Valve
	For DC Motors Only
	DC Motor 24VDC Starting Switch
M-SOL-24VDC	DC 12V Starting Switch Solenoid Valve
	For DC Motors Only

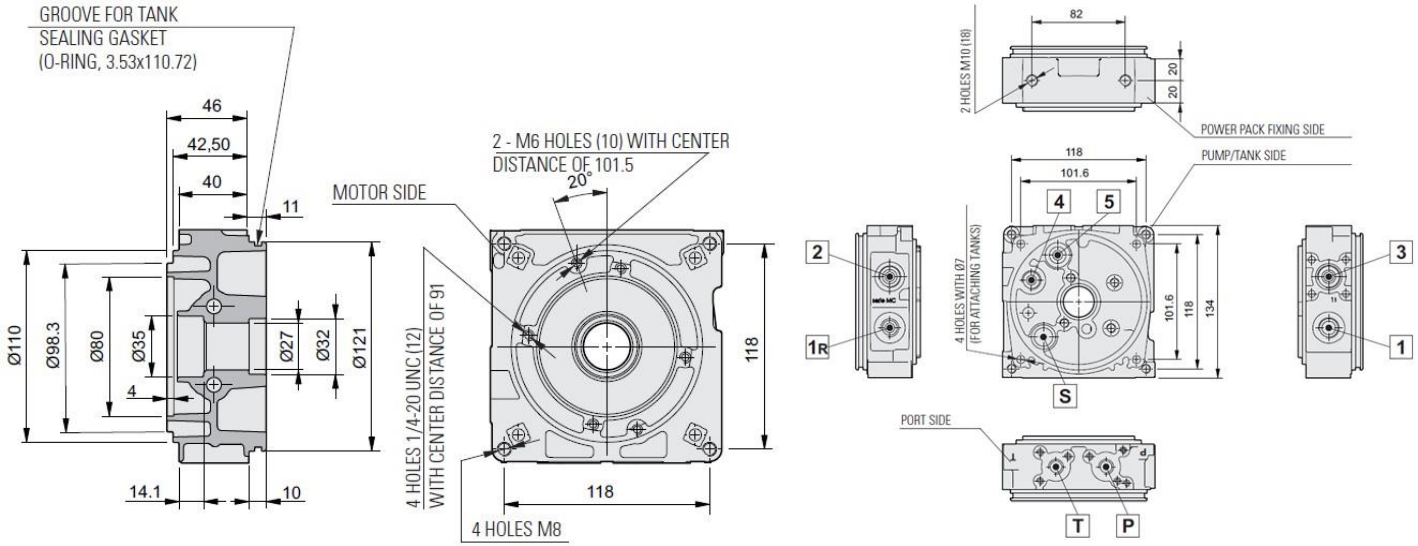


Motor Frame Mounting Kits - AC Motor needs B14 Small Mounting!

<p>M-MFK-1</p>	<p>0.25 - 0.37kW AC Motor Frame Mounting Kit Includes: Billet, Bellhousing, Electric Motor Shaft adaptor and mounting bolts. Cast Iron</p>	
<p>M-MFK-2</p>	<p>0.55 - 0.75W AC Motor Frame Mounting Kit Includes: Billet, Bellhousing, Electric Motor Shaft adaptor and mounting bolts. Cast Iron</p>	
<p>M-MFK-3</p>	<p>1.10 - 1.50kW AC Motor Frame Mounting Kit Includes: Billet, Bellhousing, Electric Motor Shaft adaptor and mounting bolts. Cast Iron</p>	
<p>M-MFK-4</p>	<p>2.20 - 4.00kW AC Motor Frame Mounting Kit Includes: Billet, Bellhousing, Electric Motor Shaft adaptor and mounting bolts. Cast Iron</p>	
<p>M-MFK-DC</p>	<p>DC Motor Frame Mounting Kit Includes: Tang-Billet, Spacer Ring and Gasket Cast Iron</p>	

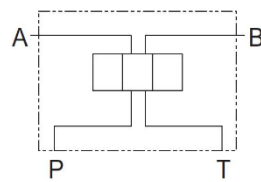
Assembly Heads

	G04 Assembly Head Only!
M-ASS-HEAD-04	Also known as a End Head, 1/4" BSP
	No tank, motor or valves included
	G06 Assembly Head Only!
M-ASS-HEAD-06	Also known as a End Head, 3/8" BSP
	No tank, motor or valves included

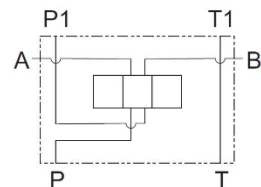


Aluminium Manifold Blocks - for NG6 Valves

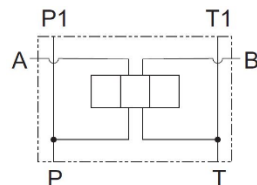
	NG6 First Hightening (H) Block	
M-BLOCK-H	Aluminium body, for NG6 Valves	
	You need at least a Hightening, End + Middle Block for more than one NG6 valve	
	NG6 End Parallel (G) Block	
M-BLOCK-G	Aluminium body, for NG6 Valves	
	You need at least a Hightening, End + Middle Block for more than one NG6 valve	









	NG6 Middle Parallel (F) Block	
M-BLOCK-F	Aluminium, for NG6 Valves, 3/8" BSP	
	You need at least a Hightening, End + Middle Block for more than one NG6 valve	



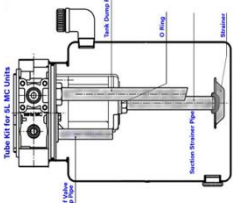
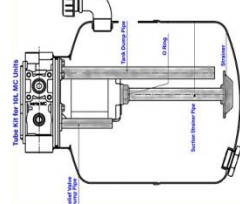
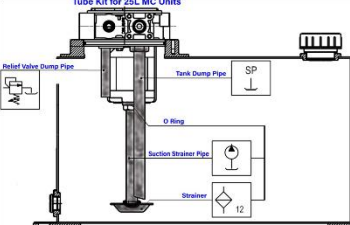
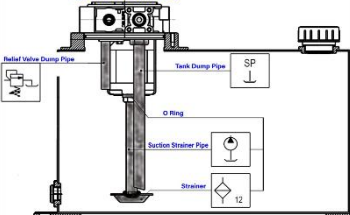
	NG6 Middle Parallel (E) Block	
M-BLOCK-E	Aluminium, for NG6 Valves, 3/8" BSP	
	You need at least a Hightening, End + Middle Block for more than one NG6 valve	






Tanks

M-TANK05R	Round 5L Tank Horizontal Mounting Steel, Painted Black, Gauge not included, Includes Drain Plug and Breather, 4.5L useable capacity	
M-TANK07S-PLA	Square 7L Plastic Tank Horizontal Mounting Polypropylene / Plastic Tank , +/- 308mmX195mmX190mm Includes Drain Plug and Breather, 6.5L useable capacity	
M-TANK10R	Round 10L Tank Horizontal Mounting Steel, Painted Black, for Horizontal Motors, Gauge not included, Includes Drain Plug and Breather, 9.3L useable capacity	
M-TANK14SV	Square 14L Tank Vertical Mounting Steel, Painted Black, for Vertical Motors, Gauge not included, Includes Drain Plug and Breather	
M-TANK25SH	Square 25L Tank Horizontal Mounting Steel, Painted Black, for Horizontal Motors, Gauge not included, Includes Drain Plug	
M-TANK25SVR	Square 25L Tank Vertical Mounting Steel, Painted Black, for Vertical Motors, Gauge not included, Includes Drain Plug	

Tank - Pipe Kits

M-PIPE-KIT-5L	Pipe Kit for 5L Tank - for MC Units Group 1, Vertical mounted but can be made Horizontal with an additional adaptor. Includes: Relief Valve dump pipe, Tank dump pipe, O-Ring, Suction strainer pipe and Strainer.	
M-PIPE-KIT-10L	Pipe Kit for 10L Tank - for MC Units Group 1, Vertical mounted but can be made Horizontal with an additional adaptor. Includes: Relief Valve dump pipe, Tank dump pipe, O-Ring, Suction strainer pipe and Strainer.	
M-PIPE-KIT-14L	Pipe Kit for 14L Tank Group 1, Vertical For MC Units Includes: Relief Valve dump pipe, Tank dump pipe, O-Ring, Suction strainer pipe and Strainer.	
M-PIPE-KIT-25L	Pipe Kit for 25L Tank Group 1, Vertical For MC Units Includes: Relief Valve dump pipe, Tank dump pipe, O-Ring, Suction strainer pipe and Strainer.	



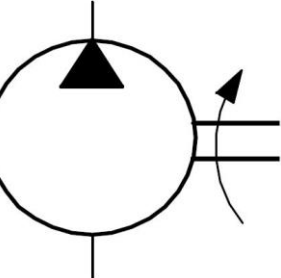

Tank - Breathers

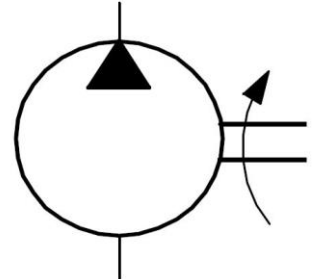
M-TB-08	1/2" Plastic Tank Breather	
	Polyurethane Air Filter, G08 = 1/2"	
	Temp -30°C to 100°C, TMD series	
M-TB-12	3/4" Plastic Tank Breather	
	Polyurethane Air Filter, G12 = 3/4"	
	Temp -30°C to 100°C, TMD series	
M-TB-20	1 1/4" Threaded Hexagonal Head Aluminium Tank Breather	
	Hole for venting internal pressure from 2-3.5mm free vented, TCF series	
	Only for upper par of crankcase, away from moving parts, extra tight sealing	

Tank - Foot Bracket for MR2 Head

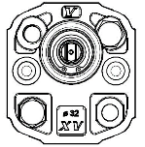


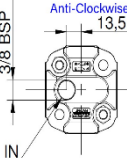
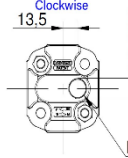
M-FOOT-05	Standard Foot Bracket for 5L Tanks	
	Galvanized Sheet Steel	
	2.5mm thickness, 125mmX125mmX26,5mm	
M-FOOT-10	High Foot Bracket for 7L - 10L Tanks	
	Galvanized Sheet Steel	
	2mm thickness, 125mmX120mmX48mm	

Gear Pumps


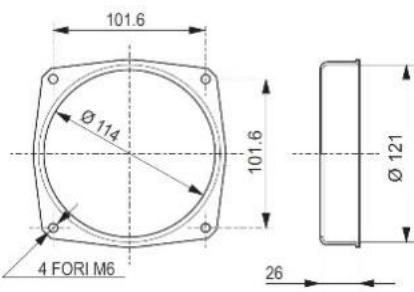

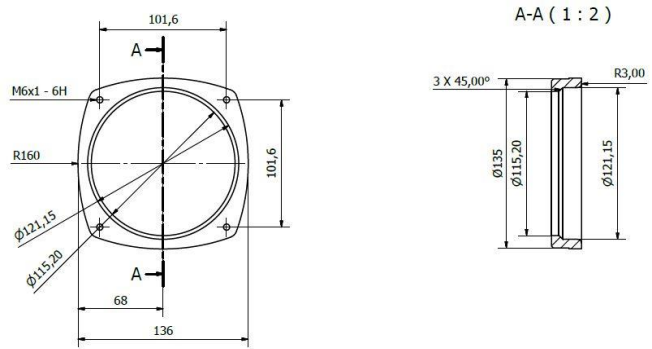

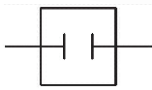
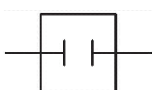

M-XV0P0.6CW	0.6cc CW Unidirectional Gear Pump for Mini P-Packs	   
	Group 0 Pump, 5x12mm Tang Shaft	
	32mm O-Ring Spigot, Front P-Port, Rear S-Port	
M-XV1P1.2-CW	1.2cc CW Unidirectional Gear Pump for Mini P-Pack	
	Gr1, 5x12mm Tang Shaft, Max 290Bar, Max 6000Rpm	
	32mm O-Ring Spigot, Front P-Port, Rear S-Port	
M-XV1P1.7-CW	1.7cc CW Unidirectional Gear Pump for Mini P-Pack	
	Gr1, 5x12mm Tang Shaft, Max 290Bar, Max 6000Rpm	
	32mm O-Ring Spigot, Front P-Port, Rear S-Port	
M-XV1P2.2-CW	2.2cc CW Unidirectional Gear Pump for Mini P-Pack	
	Gr1, 5x12mm Tang Shaft, Max 290Bar, Max 6000Rpm	
	32mm O-Ring Spigot, Front P-Port, Rear S-Port	
M-XV1P2.6-CW	2.6cc CW Unidirectional Gear Pump for Mini P-Pack	
	Gr1, 5x12mm Tang Shaft, Max 300Bar, Max 6000Rpm	
	32mm O-Ring Spigot, Front P-Port, Rear S-Port	
M-XV1P3.2-CW	3.2cc CW Unidirectional Gear Pump for Mini P-Pack	
	Gr1, 5x12mm Tang Shaft, Max 300Bar, Max 6000Rpm	
	32mm O-Ring Spigot, Front P-Port, Rear S-Port	
M-XV1P3.8-CW	3.8cc CW Unidirectional Gear Pump for Mini P-Pack	
	Gr1, 5x12mm Tang Shaft, Max 300Bar, Max 6000Rpm	
	32mm O-Ring Spigot, Front P-Port, Rear S-Port	
M-XV1P4.3-CW	4.3cc CW Unidirectional Gear Pump for Mini P-Pack	
	Gr1, 5x12mm Tang Shaft, Max 300Bar, Max 6000Rpm	
	32mm O-Ring Spigot, Front P-Port, Rear S-Port	
M-XV1P6.0-CW	6.0cc CW Unidirectional Gear Pump for Mini P-Pack	
	Gr1, 5x12mm Tang Shaft, Max 300Bar, Max 5000Rpm	
	32mm O-Ring Spigot, Front P-Port, Rear S-Port	
M-XV1P7.8-CW	7.8cc CW Unidirectional Gear Pump for Mini P-Pack	
	Gr1, 5x12mm Tang Shaft, Max 260Bar, Max 5000Rpm	
	32mm O-Ring Spigot, Front P-Port, Rear S-Port	




Gr 1 Gear Pump Covers


	Blank Front Cover for Mini P-Pack Pump	
M-XV1P-FC-B	32mm Spigot, for Group 1 Gear Pumps	
	Series MC-P1(1) & XV1P Pumps	
	AntiClockwise Front Cover for Mini P-Pack Pump	
M-XV1P-FC-L	32mm Spigot, for Group 1 Gear Pumps	
	Series MC-P1(1) & XV1P Pumps	
	Clockwise Front Cover for Mini P-Pack Pump	
M-XV1P-FC-R	32mm Spigot, for Group 1 Gear Pumps	
	Series MC-P1(1) & XV1P Pumps	
	Rear Cover for Mini P-Pack Pump	 
M-XV1P-RC	G06 - BSP 3/8", for Group 1 Gear Pumps	
	Series MC-P1(1) & XV1P Pumps	

Various Mini Power Pack Spares

	Tank Braze on Flange/Collar	
	Light Duty	
M-BRAZE-FLANGE	Braze Steel Body	
		
	Tank Weld on Flange/Collar	
	Heavy Duty	
M-WELD-FLANGE	Weld Steel Body	
		
	MC Cavity 3 Manual Lever	
M-NC-MANUAL	Normally Closed, we swap at no charge	
	Includes Valve & Microswitch	
	Plug for Head Cartridge Valve Port	
M-PLUG-C	Plug only!	
	for MC Cavity 2 Manifold Assembly Head	
	Plug for Pressure Relief Valve Port	
M-PLUG-R	Plug only!	
	for MC Cavity 1 Manifold Assembly Head	

	Pressure Relief Valve for MR2 Assembly Head	
M-RELIEF-200	Direct Acting, for MR2 Manifold Assembly Head, Max 220Bar, Std 150Bar, Detachable Closing	
	Pressure Relief Valve for MR2 Assembly Head	
M-RELIEF-300	Direct Acting, for MR2 Manifold Assembly Head, Max 290Bar, Std 180Bar, Detachable Closing	

Special Stabaload Double Solenoid Block

	3/8" Double Solenoid Block Only!	
M-HE38SABLK620	Needs H-Block, 2x NC D Poppet Valves & 1x N/C S Cartridge in Head	
Operation: for 2x S/A Cylinders		
1. Switch on only DC Motor - all motionless		
2. Energize Solenoid A, Extends Cylinder A (if you de-energized it will Stop)		
3. Energize Solenoid B, Extends Cylinder B (if you de-energized it will Stop)		
4. To lower a Cylinder, energize dump (in housing) Solenoid and Solenoid A or B or both.		