

*Make it Happen!!*

[www.fluidco.co.za](http://www.fluidco.co.za)



# Metric Steel Fittings & Tube Catalogue



# **FLUIDCO**

## **HYDRAULIC SYSTEMS**



**THV** | The  
Hose  
Van

[www.thehosevan.co.za](http://www.thehosevan.co.za)

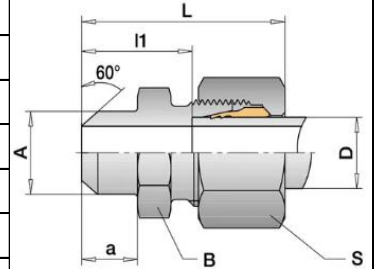
# Fluidco - Metric Steel Tube Fittings Catalogue - Page Index

DESCRIPTION	PG NR
Weldable Studs	1
Cutting Rings - Very Light Series	1
Progressive Cutting Rings	1
DKA Sealing Ring - Imperial	2
DKA Sealing Ring - Metric	2
ED Soft Seal Ring	2
BSP Straight Stud Swivel Nut Adaptor	2&3
Metric Female Swivel Nut - NPT Male	3
Swivel Nut Run Tee (Male/Male/Female)	3
Threaded Test Point M16X2 - JIC Female swivel	4
Threaded Test Point M16X2 - BSP Male ED	4
Threaded Test Point M16X2 - NPT Male	4
Threaded Test Point M16X2 - Metric	4
Threaded Test Point M16X2 - SAE (UNF)	4
Weldable Bulkhead Union	5
Swivel Nut Branch Tee (Male/Female/Male)	5
90° Swivel Nut Elbow (Male/Female)	6
EO-2 Dual Function Nut (Ferrule)	6
Union Straight	7
Metric Male - BSP Female Stud	7&8
Metric Male Stud - NPT Male & BSP Tapered Male	8
Metric Male Stud - NPT Male	8&9
L - Metric Male Stud - BSP Male / ED	9&10
S - Metric Male Stud - BSP Male / ED	10&11
L - Metric Male Stud - Metric Male / ED	11&12
S - Metric Male Stud - Metric Male / ED	13
L - Metric Male Stud - SAE Male (UNF)	13
S - Metric Male Stud - SAE Male (UNF)	14
Straight Tube Union Reducer	14&15
Female Swivel Union / Back to Back	15
Metric Steel Tube Nut	15&16
Metric Male - BSP Female Gauge Adaptor	16
Metric Female - BSP Female Gauge Adaptor	16
BSP Female - Male Reducer with Swivel Nut	16-18
Male Non-Return Check Valve	18
BSP Male ED - BSP Female Reducer	18&19
Metric Male Blanking Plug	19&20
Weld Nipples	20
Straight Threaded Bulkhead Union	20&21
Union Male Tee Piece	21
Insert Blanking Plug for Metric Male	21
Metric Female Swivel - M16X2 Test Point	22
Metric Male Union 90° Elbow	22
Metric Male - NPT Male / Metric Male Tapered 90°	23
Male 90° Banjo Elbow - BSP / Metric	23&24
Threaded Male 90° Bulkhead with Lock Nut	24
Bundy/Zista Tubing	25
Seamless Hydraulic Precision Steel Tube	25
Metric Steel Fittings Part Number Breakdown	26

# Metric Steel Fittings & Tube

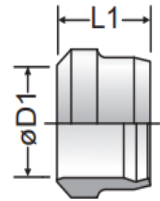
## Weldable Stud (L - Light & S - Heavy Series)

AS06L	06L MALE WELD-ON TUBE ADAPTER
AS06S	06S MALE WELD-ON TUBE ADAPTER
AS08L	08L MALE WELD-ON TUBE ADAPTER
AS08S	08S MALE WELD-ON TUBE ADAPTER
AS10L	10L MALE WELD-ON TUBE ADAPTER
AS10S	10S MALE WELD-ON TUBE ADAPTER
AS12L	12L MALE WELD-ON TUBE ADAPTER
AS12S	12S MALE WELD-ON TUBE ADAPTER
AS14S	14S MALE WELD-ON TUBE ADAPTER
AS15L	15L MALE WELD-ON TUBE ADAPTER
AS16S	16S MALE WELD-ON TUBE ADAPTER
AS18L	18L MALE WELD-ON TUBE ADAPTER
AS20S	20S MALE WELD-ON TUBE ADAPTER
AS22L	22L MALE WELD-ON TUBE ADAPTER
AS25S	25S MALE WELD-ON TUBE ADAPTER
AS28L	28L MALE WELD-ON TUBE ADAPTER
AS30S	30S MALE WELD-ON TUBE ADAPTER
AS35L	35L MALE WELD-ON TUBE ADAPTER
AS38S	38S MALE WELD-ON TUBE ADAPTER
AS42L	42L MALE WELD-ON TUBE ADAPTER



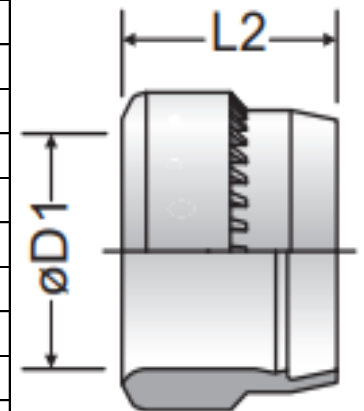
## Cutting Rings

D04LL	CUTTING RING 04LL
D06LL	CUTTING RING 06LL
D08LL	CUTTING RING 08LL
D10LL	CUTTING RING 10LL
D12LL	CUTTING RING 12LL



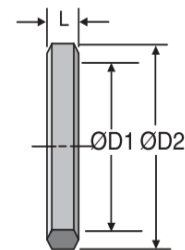
## Progressive Cutting Rings

D06L/S	CUTTING RING 06L / 06S
D08L/S	CUTTING RING 08L / 08S
D10L/S	CUTTING RING 10L / 10S
D12L/S	CUTTING RING 12L / 12S
D14S	CUTTING RING 14S
D15L	CUTTING RING 15L
D16S	CUTTING RING 16S
D18L	CUTTING RING 18L
D20S	CUTTING RING 20S
D22L	CUTTING RING 22L
D25S	CUTTING RING 25S
D28L	CUTTING RING 28L
D30S	CUTTING RING 30S
D35L	CUTTING RING 35L
D38S	CUTTING RING 38S
D42L	CUTTING RING 42L



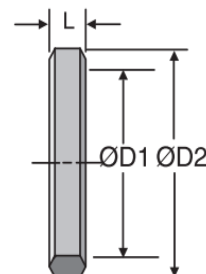
## DKA Sealing Ring - Imperial

DKA-02	DKA STEEL SEAL RING FOR 1/8 (ID 9.8MM)
DKA-04	DKA STEEL SEAL RING FOR 1/4 (ID 13.3MM)
DKA-06	DKA STEEL SEAL RING FOR 3/8 (ID 16.8MM)
DKA-08	DKA STEEL SEAL RING FOR 1/2 (ID 21.1MM)
DKA-12	DKA STEEL SEAL RING FOR 3/4 (ID 26.6MM)
DKA-16	DKA STEEL SEAL RING FOR 1 (ID 33.4MM)



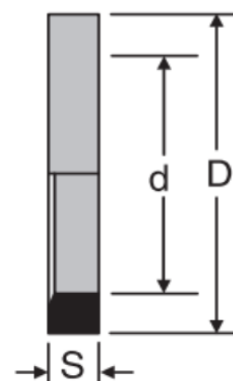
## DKA Sealing Ring - Metric

DKA-M12	DKA STEEL SEAL RING FOR M12 (ID12.1MM)
DKA-M14	DKA STEEL SEAL RING FOR M14 (ID14.1MM)
DKA-M18	DKA STEEL SEAL RING FOR M18 (ID18.1MM)
DKA-M20	DKA STEEL SEAL RING FOR M20 (ID20.1MM)
DKA-M22	DKA STEEL SEAL RING FOR M22 (ID22.1MM)
DKA-M26	DKA STEEL SEAL RING FOR M26 (ID26.1MM)
DKA-M27	DKA STEEL SEAL RING FOR M27 (ID27.1MM)



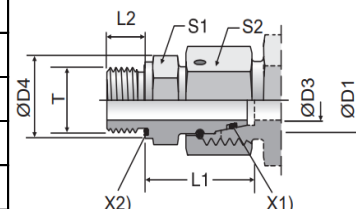
## ED Soft Seal Ring

ED-08x1	ED SOFT SEAL FOR M8X1
ED-10x1 (1/8)	ED SOFT SEAL FOR M10X1 OR BSP-02
ED-12X1.5	ED SOFT SEAL FOR M12X1.5
ED-14X1.5	ED SOFT SEAL FOR M14X1.5 OR BSP-04
ED-16x1.5	ED SOFT SEAL FOR M16X1.5
ED-R3/8	ED SOFT SEAL FOR BSP-06
ED-18X1.5	ED SOFT SEAL FOR M18X1.5
ED-20X1.5	ED SOFT SEAL FOR M20X1.5
ED-R1/2	ED SOFT SEAL FOR BSP-08
ED-26X1.5	ED SOFT SEAL: M26X1.5 OR M27X2 OR BSP-12
ED-33X2	ED SOFT SEAL FOR M33X2 OR BSP-16
ED-42X2	ED SOFT SEAL FOR M42X2 OR BSP-20
ED-48X2	ED SOFT SEAL FOR M48X2 OR BSP-24



## BSP Straight Stud Swivel Nut Adaptor (L - Light & S - Heavy Series)

EGE06LR02ED	06L FEMALE SWIVEL X BSP-02 ED
EGE06SR04ED	06S FEMALE SWIVEL X BSP-04 ED
EGE08LR04ED	08L FEMALE SWIVEL X BSP-04 ED
EGE08SR04ED	08S FEMALE SWIVEL X BSP-04ED
EGE10LR04ED	10L FEMALE SWIVEL X BSP-04ED
EGE10SR06ED	10S FEMALE SWIVEL X BSP-06ED
EVGE12LR04ED	12L FEMALE SWIVEL X BSP-04ED
EGE12LR06ED	12L FEMALE SWIVEL X BSP-06ED
EGE12LR08ED	12L FEMALE SWIVEL X BSP-08ED
EGE12SR06ED	12S FEMALE SWIVEL X BSP-06ED
EGE12SR08ED	12S FEMALE SWIVEL X BSP-08ED
EGE14SR08ED	14S FEMALE SWIVEL X BSP-08ED
EGE15LR08ED	15L FEMALE SWIVEL X BSP-08ED
EGE16SR08ED	16S FEMALE SWIVEL X BSP-08ED
EGE18LR08ED	18L FEMALE SWIVEL X BSP-08ED
EGE20SR12ED	20S FEMALE SWIVEL X BSP-12ED
EGE22LR12ED	22L FEMALE SWIVEL X BSP-12ED



EGE25SR16ED	25S FEMALE SWIVEL X BSP-16ED	
EGE28LR16ED	28L FEMALE SWIVEL X BSP-16ED	
EGE30SR20ED	30S FEMALE SWIVEL X BSP-20ED	
EGE35LR20ED	35L FEMALE SWIVEL X BSP-20ED	
EGE38SR24ED	38S FEMALE SWIVEL X BSP-24ED	
EGE42LR24ED	42L FEMALE SWIVEL X BSP-24ED	

### NPT Straight Stud Swivel Nut Adaptor (L - Light & S - Heavy Series)

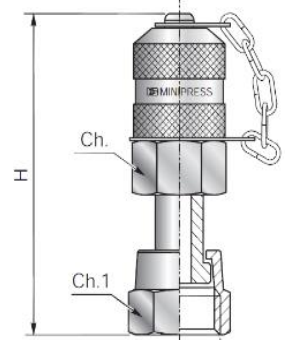
EGE06L02NPT	06L FEMALE SWIVEL X NPTM-02	
EGE06S04NPT	06S FEMALE SWIVEL X NPTM-04	
EGE08L04NPT	08L FEMALE SWIVEL X NPTM-04	
EGE08S04NPT	08S FEMALE SWIVEL X NPTM-04	
EGE10L04NPT	10L FEMALE SWIVEL X NPTM-04	
EGE10S06NPT	10S FEMALE SWIVEL X NPTM-06	
EGE12L06NPT	12L FEMALE SWIVEL X NPTM-06	
EGE12S06NPT	12S FEMALE SWIVEL X NPTM-06	
EGE14S08NPT	14S FEMALE SWIVEL X NPTM-08	
EGE15L08NPT	15L FEMALE SWIVEL X NPTM-08	
EGE16S08NPT	16S FEMALE SWIVEL X NPTM-08	
EGE18L08NPT	18L FEMALE SWIVEL X NPTM-08	
EGE20S12NPT	20S FEMALE SWIVEL X NPTM-12	
EGE22L12NPT	22L FEMALE SWIVEL X NPTM-12	
EGE25S16NPT	25S FEMALE SWIVEL X NPTM-16	
EGE28L16NPT	28L FEMALE SWIVEL X NPTM-16	
EGE30S20NPT	30S FEMALE SWIVEL X NPTM-20	
EGE35L20NPT	35L FEMALE SWIVEL X NPTM-20	
EGE38S24NPT	38S FEMALE SWIVEL X NPTM-24	

### Swivel Nut Run Tee - Male/Male/Female (L - Light & S - Heavy Series)

EL06L	06L MMF RUN TEE	
EL06S	06S MMF RUN TEE	
EL08L	08L MMF RUN TEE	
EL08S	08S MMF RUN TEE	
EL10L	10L MMF RUN TEE	
EL10S	10S MMF RUN TEE	
EL12L	12L MMF RUN TEE	
EL12S	12S MMF RUN TEE	
EL14S	14S MMF RUN TEE	
EL15L	15L MMF RUN TEE	
EL16S	16S MMF RUN TEE	
EL18L	18L MMF RUN TEE	
EL20S	20S MMF RUN TEE	
EL22L	22L MMF RUN TEE	
EL25S	25S MMF RUN TEE	
EL28L	28L MMF RUN TEE	
EL30S	30S MMF RUN TEE	
EL35L	35L MMF RUN TEE	
EL38S	38S MMF RUN TEE	
EL42L	42L MMF RUN TEE	

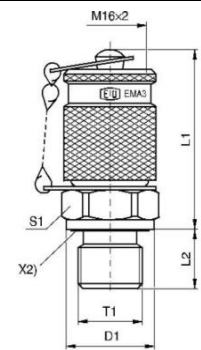
## Threaded Test Point Connector M16x2 - JICFS

EMA3-04JICFS	TEST POINT M16X2 X JICFS-04
EMA3-06JICFS	TEST POINT M16X2 X JICFS-06
EMA3-08JICFS	TEST POINT M16X2 X JICFS-08
EMA3-12JICFS	TEST POINT M16X2 X JICFS-12



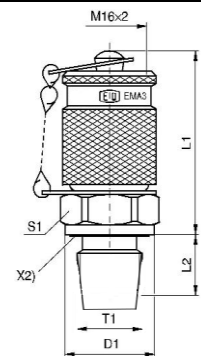
## Threaded Test Point Connector M16x2 - BSPM

EMA3-02BSP	TEST POINT M16X2 X BSPM-02ED
EMA3-04BSP	TEST POINT M16X2 X BSPM-04ED
EMA3-06BSP	TEST POINT M16X2 X BSPM-06ED
EMA3-08BSP	TEST POINT M16X2 X BSPM-08ED



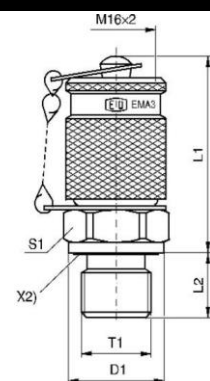
## Threaded Test Point Connector M16x2 - NPTM

EMA3-02NPT	TEST POINT M16X2 X NPTM-02
EMA3-04NPT	TEST POINT M16X2 X NPTM-04
EMA3-06NPT	TEST POINT M16X2 X NPTM-06
EMA3-08NPT	TEST POINT M16X2 X NPTM-08



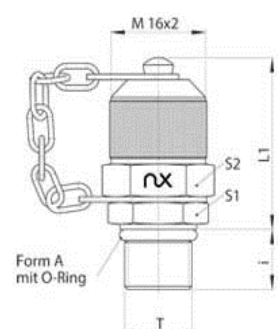
## Threaded Test Point Connector M16x2 - Metric

EMA3-M10X1.5ED	TEST POINT M16X2 X M10X1.5ED
EMA3-M12X1.5ED	TEST POINT M16X2 X M12X1.5ED
EMA3-M14X1.5ED	TEST POINT M16X2 X M14X1.5ED
EMA3-M16X1.5ED	TEST POINT M16X2 X M16X1.5ED



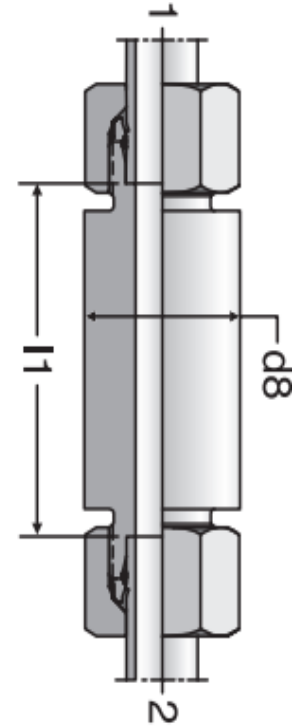
## Threaded Test Point Connector M16x2 - SAE (UNF)

EMA3-04SAE	TEST POINT M16X2 X 7/16-20UNF (SAE-04)
EMA3-06SAE	TEST POINT M16X2 X 9/16-18UNF (SAE-06)



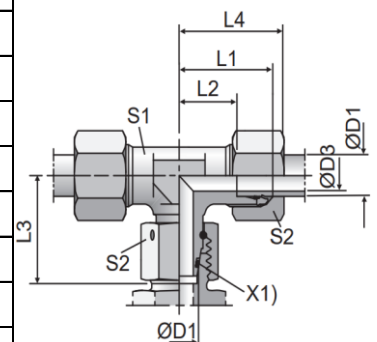
## Weldable Bulkhead Union (L - Light & S - Heavy Series)

ESV06L	06L WELDABLE BULKHEAD UNION
ESV06S	06S WELDABLE BULKHEAD UNION
ESV08L	08L WELDABLE BULKHEAD UNION
ESV08S	08S WELDABLE BULKHEAD UNION
ESV10L	10L WELDABLE BULKHEAD UNION
ESV10S	10S WELDABLE BULKHEAD UNION
ESV12L	12L WELDABLE BULKHEAD UNION
ESV12S	12S WELDABLE BULKHEAD UNION
ESV14S	14S WELDABLE BULKHEAD UNION
ESV15L	15L WELDABLE BULKHEAD UNION
ESV16S	16S WELDABLE BULKHEAD UNION
ESV18L	18L WELDABLE BULKHEAD UNION
ESV20S	20S WELDABLE BULKHEAD UNION
ESV22L	22L WELDABLE BULKHEAD UNION
ESV25S	25S WELDABLE BULKHEAD UNION
ESV28L	28L WELDABLE BULKHEAD UNION
ESV30S	30S WELDABLE BULKHEAD UNION
ESV35L	35L WELDABLE BULKHEAD UNION
ESV38S	38S WELDABLE BULKHEAD UNION
ESV42L	42L WELDABLE BULKHEAD UNION



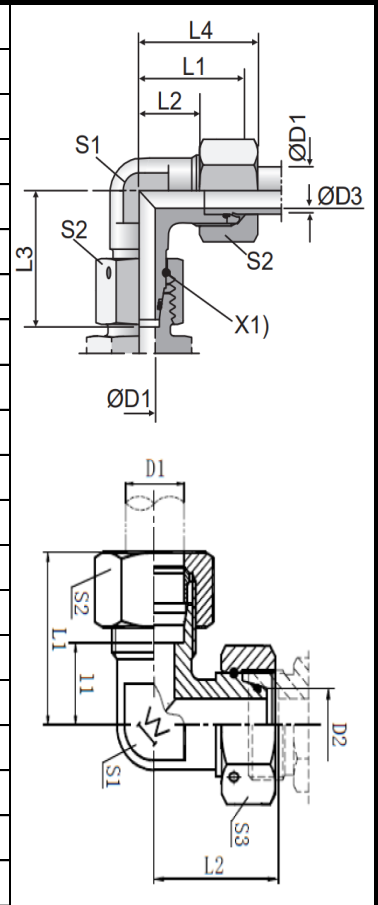
## Swivel Nut Branch Tee - Male/Female/Male (L - Light & S - Heavy Series)

ET06L	06L MFM BRANCH TEE
ET06S	06S MFM BRANCH TEE
ET08L	08L MFM BRANCH TEE
ET08S	08S MFM BRANCH TEE
ET10L	10L MFM BRANCH TEE
ET10S	10S MFM BRANCH TEE
ET12L	12L MFM BRANCH TEE
ET12S	12S MFM BRANCH TEE
ET14S	14S MFM BRANCH TEE
ET15L	15L MFM BRANCH TEE
ET16S	16S MFM BRANCH TEE
ET18L	18L MFM BRANCH TEE
ET20S	20S MFM BRANCH TEE
ET22L	22L MFM BRANCH TEE
ET25S	25S MFM BRANCH TEE
ET28L	28L MFM BRANCH TEE
ET30S	30S MFM BRANCH TEE
ET35L	35L MFM BRANCH TEE
ET38S	38S MFM BRANCH TEE
ET42L	42L MFM BRANCH TEE



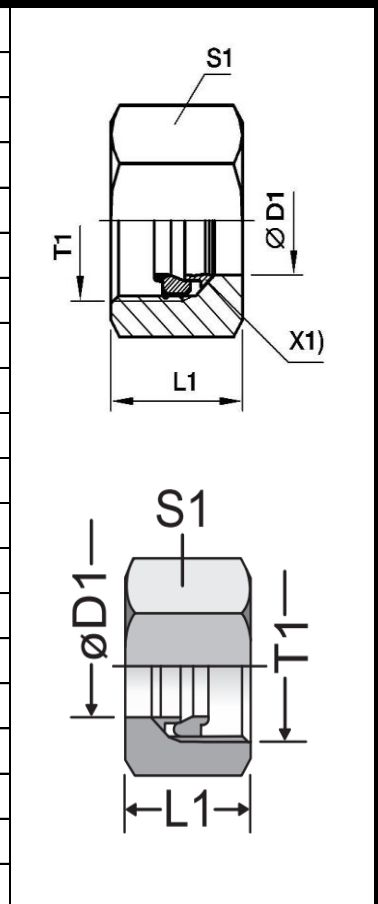
## 90° Swivel Nut Elbow - Male/Female (L - Light & S - Heavy Series)

EW06L	06L MF 90° ELBOW
EW06S	06S MF 90° ELBOW
EW08L	08L MF 90° ELBOW
EW08S	08S MF 90° ELBOW
EW10L	10L MF 90° ELBOW
EW10S	10S MF 90° ELBOW
EW12L	12L MF 90° ELBOW
EW12S	12S MF 90° ELBOW
EW14S	14S MF 90° ELBOW
EW15L	15L MF 90° ELBOW
EW16S	16S MF 90° ELBOW
EW18L	18L MF 90° ELBOW
EW20S	20S MF 90° ELBOW
EW22L	22L MF 90° ELBOW
EW25S	25S MF 90° ELBOW
EW28L	28L MF 90° ELBOW
EW30S	30S MF 90° ELBOW
EW35L	35L MF 90° ELBOW
EW38S	38S MF 90° ELBOW
EW42L	42L MF 90° ELBOW



## EO-2 Dual Function Nut (L - Light & S - Heavy Series)

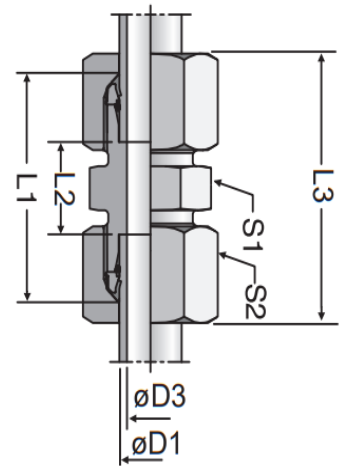
FM06L	06L SOFT SEAL NUT & FERRULE ASSEMBLY
FM06S	06S SOFT SEAL NUT & FERRULE ASSEMBLY
FM08L	08L SOFT SEAL NUT & FERRULE ASSEMBLY
FM08S	08S SOFT SEAL NUT & FERRULE ASSEMBLY
FM10L	10L SOFT SEAL NUT & FERRULE ASSEMBLY
FM10S	10S SOFT SEAL NUT & FERRULE ASSEMBLY
FM12L	12L SOFT SEAL NUT & FERRULE ASSEMBLY
FM12S	12S SOFT SEAL NUT & FERRULE ASSEMBLY
FM14S	14S SOFT SEAL NUT & FERRULE ASSEMBLY
FM15L	15L SOFT SEAL NUT & FERRULE ASSEMBLY
FM16S	16S SOFT SEAL NUT & FERRULE ASSEMBLY
FM18L	18L SOFT SEAL NUT & FERRULE ASSEMBLY
FM20S	20S SOFT SEAL NUT & FERRULE ASSEMBLY
FM22L	22L SOFT SEAL NUT & FERRULE ASSEMBLY
FM25S	25S SOFT SEAL NUT & FERRULE ASSEMBLY
FM28L	28L SOFT SEAL NUT & FERRULE ASSEMBLY
FM30S	30S SOFT SEAL NUT & FERRULE ASSEMBLY
FM35L	35L SOFT SEAL NUT & FERRULE ASSEMBLY
FM38S	38S SOFT SEAL NUT & FERRULE ASSEMBLY
FM42L	42L SOFT SEAL NUT & FERRULE ASSEMBLY





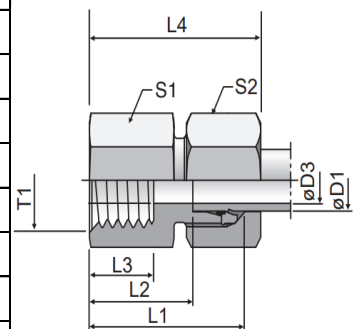
## Union Straight (LL/L - Light & S - Heavy Series)

G04LL	04LL UNION STRAIGHT
G06LL	06LL UNION STRAIGHT
G06L	06L UNION STRAIGHT
G06S	06S UNION STRAIGHT
G08LL	08LL UNION STRAIGHT
G08L	08L UNION STRAIGHT
G08S	08S UNION STRAIGHT
G10LL	10LL UNION STRAIGHT
G10L	10L UNION STRAIGHT
G10S	10S UNION STRAIGHT
G12LL	12LL UNION STRAIGHT
G12L	12L UNION STRAIGHT
G12S	12S UNION STRAIGHT
G14S	14S UNION STRAIGHT
G15L	15L UNION STRAIGHT
G16S	16S UNION STRAIGHT
G18L	18L UNION STRAIGHT
G20S	20S UNION STRAIGHT
G22L	22L UNION STRAIGHT
G25S	25S UNION STRAIGHT
G28L	28L UNION STRAIGHT
G30S	30S UNION STRAIGHT
G35L	35L UNION STRAIGHT
G38S	38S UNION STRAIGHT
G42L	42L UNION STRAIGHT

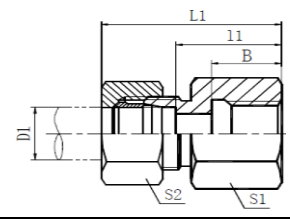


## Tube Straight BSP Female Stud (L - Light & S - Heavy Series)

GAI06LR02	06L MALE STUD X BSPF-02
GAI06LR04	06L MALE STUD X BSPF-04
GAI06SR04	06S MALE STUD X BSPF-04
GAI08LR04	08L MALE STUD X BSPF-04
GAI08SR04	08S MALE STUD X BSPF-04
GAI10LR04	10L MALE STUD X BSPF-04
GAI10LR06	10L MALE STUD X BSPF-06
GAI10LR08	10L MALE STUD X BSPF-08
GAI10SR06	10S MALE STUD X BSPF-06
GAI12LR06	12L MALE STUD X BSPF-06
GAI12LR08	12L MALE STUD X BSPF-08
GAI12SR06	12S MALE STUD X BSPF-06
GAI14SR08	14S MALE STUD X BSPF-08
GAI15LR08	15L MALE STUD X BSPF-08
GAI16SR08	16S MALE STUD X BSPF-08
GAI18LR08	18L MALE STUD X BSPF-08
GAI20SR08	20S MALE STUD X BSPF-08
GAI20SR12	20S MALE STUD X BSPF-12
GAI22LR12	22L MALE STUD X BSPF-12
GAI25SR16	25S MALE STUD X BSPF-16

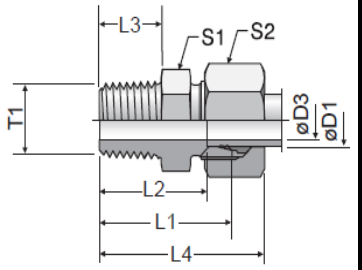
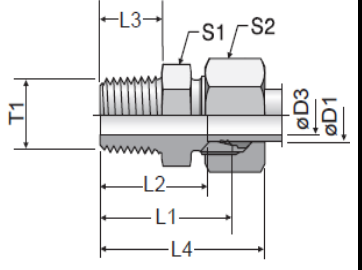


GAI28LR16	28L MALE STUD X BSPF-16
GAI30SR20	30S MALE STUD X BSPF-20
GAI35LR20	35L MALE STUD X BSPF-20
GAI38SR24	38S MALE STUD X BSPF-24
GAI42LR24	42L MALE STUD X BSPF-24



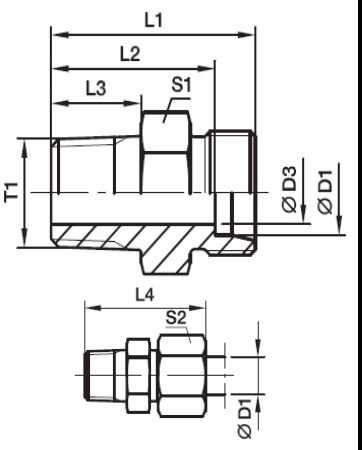
### Male Stud Coupling - Light Series - NPTM & BSPM Tapered

GE04LL02NPT	04LL MALE STUD X NPTM-02
GE06LL02NPT	06LL MALE STUD X NPTM-02
GE06L02NPT	06L MALE STUD X NPTM-02
GE06L04NPT	06L MALE STUD X NPTM-04
GE08LL02NPT	08LL MALE STUD X NPTM-02
GE08L02NPT	08L MALE STUD X NPTM-02
GE08L04NPT	08L MALE STUD X NPTM-04
GE10L04NPT	10L MALE STUD X NPTM-04
GE10L06NPT	10L MALE STUD X NPTM-06
GE10L08NPT	10L MALE STUD X NPTM-08
GE12L04NPT	12L MALE STUD X NPTM-04
GE12L06NPT	12L MALE STUD X NPTM-06
GE12L08NPT	12L MALE STUD X NPTM-08
GE15L06NPT	15L MALE STUD X NPTM-06
GE15L08NPT	15L MALE STUD X NPTM-08
GE18L08NPT	18L MALE STUD X NPTM-08
GE22L08NPT	22L MALE STUD X NPTM-08
GE22L12NPT	22L MALE STUD X NPTM-12
GE22L16NPT	22L MALE STUD X NPTM-16
GE28L16NPT	28L MALE STUD X NPTM-16
GE35L16NPT	35L MALE STUD X NPTM-16
GE35L20NPT	35L MALE STUD X NPTM-20
GE42L24NPT	42L MALE STUD X NPTM-24
GE04LLR02BSPT	04LL MALE STUD X BSPTM-02
GE06LLR02BSPT	06LL MALE STUD X BSPTM-02
GE08LLR02BSPT	08LL MALE STUD X BSPTM-02

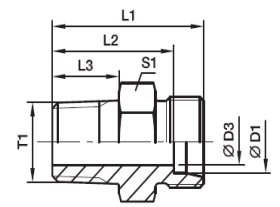


### Male Stud Coupling - NPT Male (L - Light & S - Heavy Series)

GE08S04NPT	08S MALE STUD X NPTM-04
GE10S04NPT	10S MALE STUD X NPTM-04
GE10S06NPT	10S MALE STUD X NPTM-06
GE12S04NPT	12S MALE STUD X NPTM-04
GE12S06NPT	12S MALE STUD X NPTM-06
GE12S08NPT	12S MALE STUD X NPTM-08
GE14S08NPT	14S MALE STUD X NPTM-08
GE16S06NPT	16L MALE STUD X NPTM-08
GE16S08NPT	16L MALE STUD X NPTM-08
GE16S12NPT	16L MALE STUD X NPTM-12
GE20S08NPT	20S MALE STUD X NPTM-08
GE20S12NPT	20S MALE STUD X NPTM-12
GE20S16NPT	20S MALE STUD X NPTM-16
GE25S12NPT	25S MALE STUD X NPTM-12

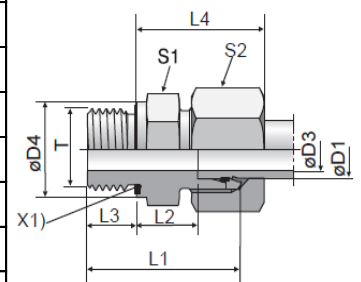
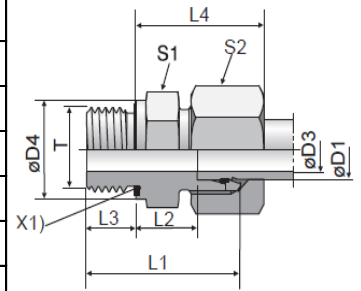


GE25S16NPT	25S MALE STUD X NPTM-16
GE30S16NPT	30S MALE STUD X NPTM-16
GE30S20NPT	30S MALE STUD X NPTM-20
GE38S20NPT	38S MALE STUD X NPTM-20
GE38S24NPT	38S MALE STUD X NPTM-24

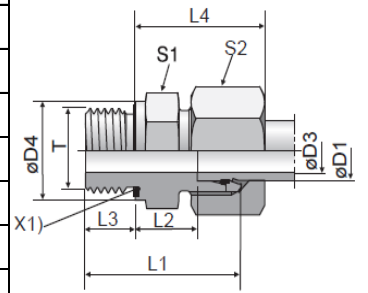


## Male Stud Coupling - Light Series - BSPM & ED

GE04LLR02ED	04LL MALE STUD X BSPM-02ED
GE06LLR02ED	06LL MALE STUD X BSPM-02ED
GE06LR02	06L MALE STUD X BSPM-02
GE06LR02ED	06L MALE STUD X BSPM-02ED
GE06LR04	06L MALE STUD X BSPM-04
GE06LR04ED	06L MALE STUD X BSPM-04ED
GE06LR06	06L MALE STUD X BSPM-06
GE06LR06ED	06L MALE STUD X BSPM-06ED
GE06LR08	06L MALE STUD X BSPM-08
GE06LR08ED	06L MALE STUD X BSPM-08ED
GE08LLR02ED	08LL MALE STUD X BSPM-02ED
GE08LLR04	08LL MALE STUD X BSPM-04
GE08LLR04ED	08LL MALE STUD X BSPM-04ED
GE08LR02ED	08L MALE STUD X BSPM-02ED
GE08LR04ED	08L MALE STUD X BSPM-04ED
GE08LR06ED	08L MALE STUD X BSPM-06ED
GE08LR08ED	08L MALE STUD X BSPM-08ED
GE10LLR04	10LL MALE STUD X BSPM-04
GE10LLR04ED	10LL MALE STUD X BSPM-04ED
GE10LR04	10L MALE STUD X BSPM-04
GE10LR04ED	10L MALE STUD X BSPM-04ED
GE10LR06	10L MALE STUD X BSPM-06
GE10LR06ED	10L MALE STUD X BSPM-06ED
GE10LR08	10L MALE STUD X BSPM-08
GE10LR08ED	10L MALE STUD X BSPM-08ED
GE12LLR04	12LL MALE STUD X BSPM-04
GE12LLR06	12LL MALE STUD X BSPM-06
GE12LR04	12L MALE STUD X BSPM-04
GE12LR04ED	12L MALE STUD X BSPM-04ED
GE12LR06	12L MALE STUD X BSPM-06
GE12LR06ED	12L MALE STUD X BSPM-06ED
GE12LR08	12L MALE STUD X BSPM-08
GE12LR08ED	12L MALE STUD X BSPM-08ED
GE12LR12	12L MALE STUD X BSPM-12
GE12LR12ED	12L MALE STUD X BSPM-12ED
GE15LR06	15L MALE STUD X BSPM-06
GE15LR06ED	15L MALE STUD X BSPM-06ED
GE15LR08	15L MALE STUD X BSPM-08
GE15LR08ED	15L MALE STUD X BSPM-08ED
GE15LR12	15L MALE STUD X BSPM-12
GE15LR12ED	15L MALE STUD X BSPM-12ED

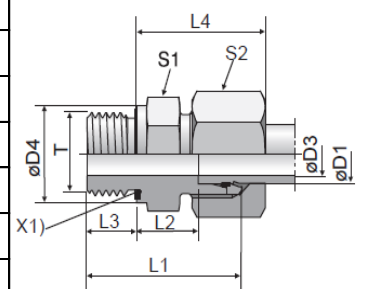


GE18LR06	18L MALE STUD X BSPM-06
GE18LR06ED	18L MALE STUD X BSPM-06ED
GE18LR08	18L MALE STUD X BSPM-08
GE18LR08ED	18L MALE STUD X BSPM-08ED
GE18LR12	18L MALE STUD X BSPM-12
GE18LR12ED	18L MALE STUD X BSPM-12ED
GE22LR08	22L MALE STUD X BSPM-08
GE22LR08ED	22L MALE STUD X BSPM-08ED
GE22LR12	22L MALE STUD X BSPM-12
GE22LR12ED	22L MALE STUD X BSPM-12ED
GE22LR16	22L MALE STUD X BSPM-16
GE22LR16ED	22L MALE STUD X BSPM-16ED
GE28LR12	28L MALE STUD X BSPM-12
GE28LR12ED	28L MALE STUD X BSPM-12ED
GE28LR16	28L MALE STUD X BSPM-16
GE28LR16ED	28L MALE STUD X BSPM-16ED
GE35LR16	35L MALE STUD X BSPM-16
GE35LR16ED	35L MALE STUD X BSPM-16ED
GE35LR20	35L MALE STUD X BSPM-20
GE35LR20ED	35L MALE STUD X BSPM-20ED
GE42LR20ED	42L MALE STUD X BSPM-20ED
GE42LR24	42L MALE STUD X BSPM-24
GE42LR24ED	42L MALE STUD X BSPM-24ED

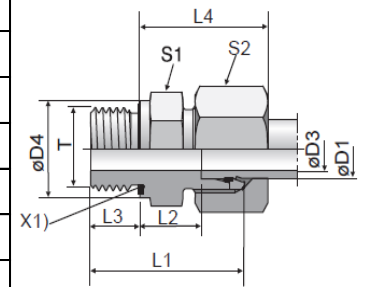
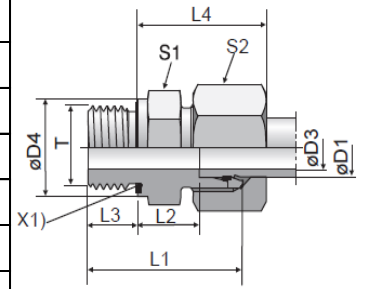


### Male Stud Coupling - Heavy Series - BSPM & ED

GE06SR04	06S MALE STUD X BSPM-04
GE06SR04ED	06S MALE STUD X BSPM-04ED
GE06SR06	06S MALE STUD X BSPM-06
GE06SR06ED	06S MALE STUD X BSPM-06ED
GE06SR08	06S MALE STUD X BSPM-08
GE06SR08ED	06S MALE STUD X BSPM-08ED
GE08SR04	08S MALE STUD X BSPM-04
GE08SR06	08S MALE STUD X BSPM-06
GE08SR04ED	08S MALE STUD X BSPM-04ED
GE08SR06ED	08S MALE STUD X BSPM-06ED
GE10SR04	10S MALE STUD X BSPM-04
GE10SR04ED	10S MALE STUD X BSPM-04ED
GE10SR06	10S MALE STUD X BSPM-06
GE10SR06ED	10S MALE STUD X BSPM-06ED
GE10SR08	10S MALE STUD X BSPM-08
GE10SR08ED	10S MALE STUD X BSPM-08ED
GE12SR04	12S MALE STUD X BSPM-04
GE12SR04ED	12S MALE STUD X BSPM-04ED
GE12SR06	12S MALE STUD X BSPM-06
GE12SR06ED	12S MALE STUD X BSPM-06ED
GE12SR08	12S MALE STUD X BSPM-08
GE12SR08ED	12S MALE STUD X BSPM-08ED
GE14SR06	14S MALE STUD X BSPM-06

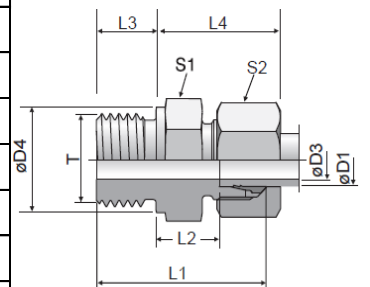


GE14SR06ED	14S MALE STUD X BSPM-06ED
GE14SR08	14S MALE STUD X BSPM-08
GE14SR08ED	14S MALE STUD X BSPM-08ED
GE16SR06	16S MALE STUD X BSPM-06
GE16SR06ED	16S MALE STUD X BSPM-06ED
GE16SR08	16S MALE STUD X BSPM-08
GE16SR08ED	16S MALE STUD X BSPM-08ED
GE16SR12	16S MALE STUD X BSPM-12
GE16SR12ED	16S MALE STUD X BSPM-12ED
GE20SR08	20S MALE STUD X BSPM-08
GE20SR08ED	20S MALE STUD X BSPM-08ED
GE20SR12	20S MALE STUD X BSPM-12
GE20SR12ED	20S MALE STUD X BSPM-12ED
GE20SR16	20S MALE STUD X BSPM-16
GE20SR16ED	20S MALE STUD X BSPM-16ED
GE25SR08	25S MALE STUD X BSPM-08
GE25SR08ED	25S MALE STUD X BSPM-08ED
GE25SR12	25S MALE STUD X BSPM-12
GE25SR12ED	25S MALE STUD X BSPM-12ED
GE25SR16	25S MALE STUD X BSPM-16
GE25SR16ED	25S MALE STUD X BSPM-16ED
GE30SR12	30S MALE STUD X BSPM-12
GE30SR12ED	30S MALE STUD X BSPM-12ED
GE30SR16	30S MALE STUD X BSPM-16
GE30SR16ED	30S MALE STUD X BSPM-16ED
GE30SR20	30S MALE STUD X BSPM-20
GE30SR20ED	30S MALE STUD X BSPM-20ED
GE38SR16ED	38S MALE STUD X BSPM-16ED
GE38SR20ED	38S MALE STUD X BSPM-20ED
GE38SR24	38S MALE STUD X BSPM-24
GE38SR24ED	38S MALE STUD X BSPM-24ED

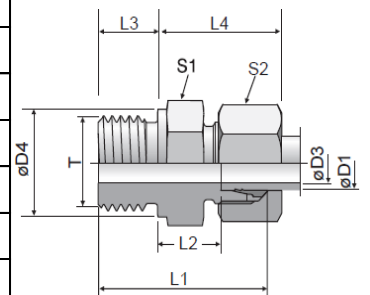
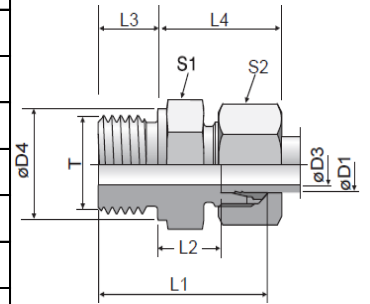


## Male Stud Coupling - Light Series - Metric Male

GE04LLM6X1	04LL MALE STUD X M6X1 MALE
GE04LLM6X1ED	04LL MALE STUD X M6X1ED MALE
GE04LLM8X1	04LL MALE STUD X M8X1 MALE
GE04LLM8X1ED	04LL MALE STUD X M8X1ED MALE
GE06LLM6X1	06LL MALE STUD X M6X1 MALE
GE06LLM8X1	06LL MALE STUD X M8X1 MALE
GE06LLM8X1ED	06LL MALE STUD X M8X1ED MALE
GE06LLM10X1	06LL MALE STUD X M10X1 MALE
GE06LLM10X1ED	06LL MALE STUD X M10X1ED MALE
GE06LM8X1	06L MALE STUD X M8X1 MALE
GE06LM8X1ED	06L MALE STUD X M8X1ED MALE
GE06LM10X1	06L MALE STUD X M10X1 MALE
GE06LM10X1ED	06L MALE STUD X M10X1ED MALE
GE06LM12X1.5ED	06L MALE STUD X M12X1.5ED MALE

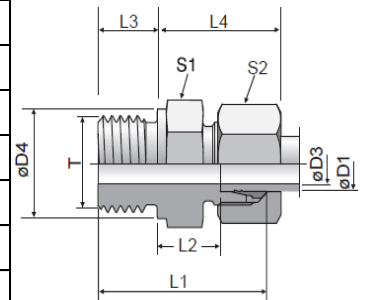
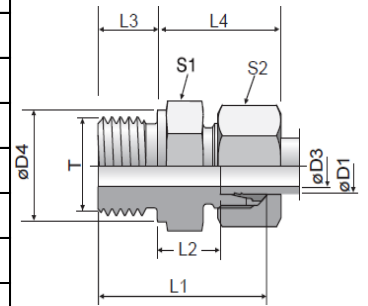


GE08LLM10X1	08LL MALE STUD X M10X1 MALE
GE08LLM10X1ED	08LL MALE STUD X M10X1ED MALE
GE08LM12X1.5	08L MALE STUD X M12X1.5 MALE
GE08LM12X1.5ED	08L MALE STUD X M12X1.5ED MALE
GE08LM14X1.5ED	08L MALE STUD X M14X1.5ED MALE
GE08LM16X1.5ED	08L MALE STUD X M16X1.5ED MALE
GE10LM14X1.5	10L MALE STUD X M14X1.5 MALE
GE10LM14X1.5ED	10L MALE STUD X M14X1.5ED MALE
GE10LM16X1.5	10L MALE STUD X M16X1.5 MALE
GE10LM16X1.5ED	10L MALE STUD X M16X1.5ED MALE
GE10LM18X1.5	10L MALE STUD X M18X1.5 MALE
GE10LM18X1.5ED	10L MALE STUD X M18X1.5ED MALE
GE10LM22X1.5	10L MALE STUD X M22X1.5 MALE
GE10LM22X1.5ED	10L MALE STUD X M22X1.5ED MALE
GE12LM12X1.5ED	12L MALE STUD X M12X1.5ED MALE
GE12LM14X1.5	12L MALE STUD X M14X1.5 MALE
GE12LM14X1.5ED	12L MALE STUD X M14X1.5ED MALE
GE12LM16X1.5	12L MALE STUD X M16X1.5 MALE
GE12LM16X1.5ED	12L MALE STUD X M16X1.5ED MALE
GE12LM18X1.5	12L MALE STUD X M18X1.5 MALE
GE12LM18X1.5ED	12L MALE STUD X M18X1.5ED MALE
GE12LM22X1.5	12L MALE STUD X M22X1.5 MALE
GE12LM22X1.5ED	12L MALE STUD X M22X1.5ED MALE
GE15LM16X1.5	15L MALE STUD X M16X1.5 MALE
GE15LM16X1.5ED	15L MALE STUD X M16X1.5ED MALE
GE15LM18X1.5	15L MALE STUD X M18X1.5 MALE
GE15LM18X1.5ED	15L MALE STUD X M18X1.5ED MALE
GE15LM22X1.5	15L MALE STUD X M22X1.5 MALE
GE15LM22X1.5ED	15L MALE STUD X M22X1.5ED MALE
GE18LM18X1.5	18L MALE STUD X M18X1.5 MALE
GE18LM18X1.5ED	18L MALE STUD X M18X1.5ED MALE
GE18LM22X1.5	18L MALE STUD X M22X1.5 MALE
GE18LM22X1.5ED	18L MALE STUD X M22X1.5ED MALE
GE22LM22X1.5	22L MALE STUD X M22X1.5 MALE
GE22LM22X1.5ED	22L MALE STUD X M22X1.5ED MALE
GE22LM26X1.5	22L MALE STUD X M26X1.5 MALE
GE22LM26X1.5ED	22L MALE STUD X M26X1.5ED MALE
GE28LM33X2	28L MALE STUD X M33X2 MALE
GE28LM33X2ED	28L MALE STUD X M33X2ED MALE
GE35LM42X2	35L MALE STUD X M42X2 MALE
GE35LM42X2ED	35L MALE STUD X M42X2ED MALE
GE42LM48X2	42L MALE STUD X M48X2 MALE
GE42LM48X2ED	42L MALE STUD X M48X2ED MALE



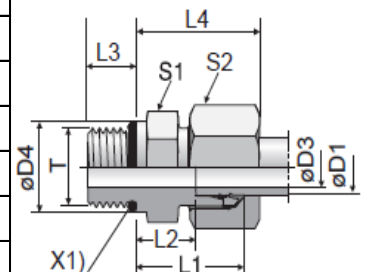
## Male Stud Coupling - Heavy Series - Metric Male

GE06SM12X1.5	06S MALE STUD X M12X1.5 MALE
GE06SM12X1.5ED	06S MALE STUD X M12X1.5ED MALE
GE08SM14X1.5	08S MALE STUD X M14X1.5 MALE
GE08SM14X1.5ED	08S MALE STUD X M14X1.5ED MALE
GE10SM16X1.5	10S MALE STUD X M16X1.5 MALE
GE10SM16X1.5ED	10S MALE STUD X M16X1.5ED MALE
GE12SM18X1.5	12S MALE STUD X M18X1.5 MALE
GE12SM18X1.5ED	12S MALE STUD X M18X1.5ED MALE
GE12SM22X1.5	12S MALE STUD X M22X1.5 MALE
GE12SM22X1.5ED	12S MALE STUD X M22X1.5ED MALE
GE14SM20X1.5	14S MALE STUD X M20X1.5 MALE
GE14SM20X1.5ED	14S MALE STUD X M20X1.5ED MALE
GE16SM18X1.5	16S MALE STUD X M18X1.5 MALE
GE16SM18X1.5ED	16S MALE STUD X M18X1.5ED MALE
GE16SM22X1.5	16S MALE STUD X M22X1.5 MALE
GE16SM22X1.5ED	16S MALE STUD X M22X1.5ED MALE
GE20SM27X2	20S MALE STUD X M27X2 MALE
GE20SM27X2ED	20S MALE STUD X M27X2ED MALE
GE25SM27X2ED	25S MALE STUD X M27X2ED MALE
GE25SM33X2	25S MALE STUD X M33X2 MALE
GE25SM33X2ED	25S MALE STUD X M33X2ED MALE
GE30SM42X2	30S MALE STUD X M42X2 MALE
GE30SM42X2ED	30S MALE STUD X M42X2ED MALE
GE38SM48X2	38S MALE STUD X M48X2 MALE
GE38SM48X2ED	38S MALE STUD X M48X2ED MALE



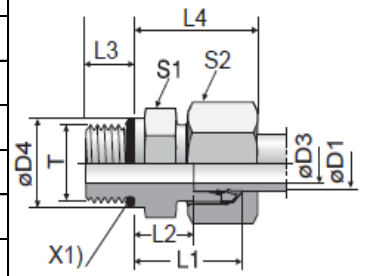
## Male Stud Coupling - Light Series - SAE (UNF) Male

GE08L04SAE	08L MALE STUD X SAEM-04 (7/16-20 UNF)
GE10L04SAE	10L MALE STUD X SAEM-04 (7/16-20 UNF)
GE12L06SAE	12L MALE STUD X SAEM-06 (9/16-18UNF)
GE12L08SAE	12L MALE STUD X SAEM-08 (3/4-16UNF)
GE12L10SAE	12L MALE STUD X SAEM-10 (7/8-14UNF)
GE15L08SAE	15L MALE STUD X SAEM-08 (3/4-16UNF)
GE15L10SAE	15L MALE STUD X SAEM-10 (7/8-14UNF)
GE18L08SAE	18L MALE STUD X SAEM-08 (3/4-16UNF)
GE18L10SAE	18L MALE STUD X SAEM-10 (7/8-14UNF)
GE22L10SAE	22L MALE STUD X SAEM-10 (7/8-14UNF)
GE22L12SAE	22L MALE STUD X SAEM-12 (1 1/16-12UNF)
GE22L16SAE	22L MALE STUD X SAEM-16 (1 5/16-12UNF)
GE28L12SAE	28L MALE STUD X SAEM-12 (1 1/16-12UNF)
GE28L16SAE	28L MALE STUD X SAEM-16 (1 5/16-12UNF)
GE35L16SAE	35L MALE STUD X SAEM-16 (1 5/16-12UNF)
GE35L20SAE	35L MALE STUD X SAEM-20 (1 5/8-12UNF)
GE42L20SAE	42L MALE STUD X SAEM-20 (1 5/8-12UNF)



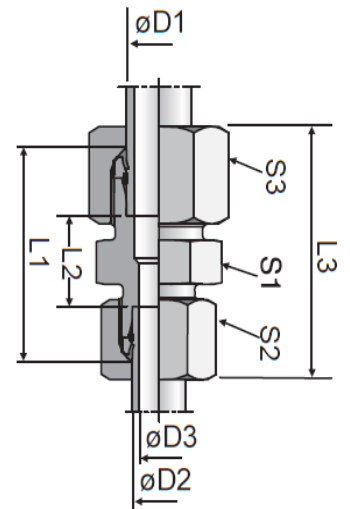
## Male Stud Coupling - Heavy Series - SAE (UNF) Male

GE08S04SAE	08S MALE STUD X SAEM-04 (7/16-20 UNF)
GE12S08SAE	12S MALE STUD X SAEM-08 (3/4-16UNF)
GE16S08SAE	16S MALE STUD X SAEM-08 (3/4-16UNF)
GE16S10SAE	16S MALE STUD X SAEM-10 (7/8-14UNF)
GE20S08SAE	20S MALE STUD X SAEM-08 (3/4-16UNF)
GE20S10SAE	20S MALE STUD X SAEM-10 (7/8-14UNF)
GE20S12SAE	20S MALE STUD X SAEM-12 (1 1/16-12UNF)
GE25S12SAE	25S MALE STUD X SAEM-12 (1 1/16-12UNF)
GE25S16SAE	25S MALE STUD X SAEM-16 (1 5/16-12UNF)
GE30S16SAE	30S MALE STUD X SAEM-16 (1 5/16-12UNF)
GE30S20SAE	30S MALE STUD X SAEM-20 (1 5/8-12UNF)
GE38S20SAE	38S MALE STUD X SAEM-20 (1 5/8-12UNF)



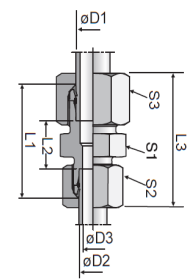
## Straight Tube Union Reducer (L - Light & S - Heavy Series)

GR06-04LL	06L X 04LL REDUCING TUBE UNION
GR08-04LL	08L X 04LL REDUCING TUBE UNION
GR08-06L	08L X 06L REDUCING TUBE UNION
GR08-06LL	08L X 06LL REDUCING TUBE UNION
GR08-06S	08S X 06S REDUCING TUBE UNION
GR10-06L	10L X 06L REDUCING TUBE UNION
GR10-06S	10S X 06S REDUCING TUBE UNION
GR10-08L	10L X 08L REDUCING TUBE UNION
GR10-08S	10S X 08S REDUCING TUBE UNION
GR12-06L	12L X 06L REDUCING TUBE UNION
GR12-06S	12S X 06S REDUCING TUBE UNION
GR12-08L	12L X 08L REDUCING TUBE UNION
GR12-08S	12S X 08S REDUCING TUBE UNION
GR12-10L	12L X 10L REDUCING TUBE UNION
GR12-10S	12S X 10S REDUCING TUBE UNION
GR14-10S	14S X 10S REDUCING TUBE UNION
GR14-12S	14S X 12S REDUCING TUBE UNION
GR15-10L	15L X 10L REDUCING TUBE UNION
GR15-12L	15L X 12L REDUCING TUBE UNION
GR16-12S	16S X 12S REDUCING TUBE UNION
GR16-14S	16S X 14S REDUCING TUBE UNION
GR18-10L	18L X 10L REDUCING TUBE UNION
GR18-12L	18L X 12L REDUCING TUBE UNION
GR18-15L	18L X 15L REDUCING TUBE UNION
GR20-10S	20S X 10S REDUCING TUBE UNION
GR20-12S	20S X 12S REDUCING TUBE UNION
GR20-16S	20S X 16S REDUCING TUBE UNION
GR22-12L	22L X 12L REDUCING TUBE UNION
GR22-15L	22L X 15L REDUCING TUBE UNION
GR22-18L	22L X 18L REDUCING TUBE UNION
GR25-16S	25S X 16S REDUCING TUBE UNION
GR25-20S	25S X 20S REDUCING TUBE UNION
GR28-18L	28L X 18L REDUCING TUBE UNION



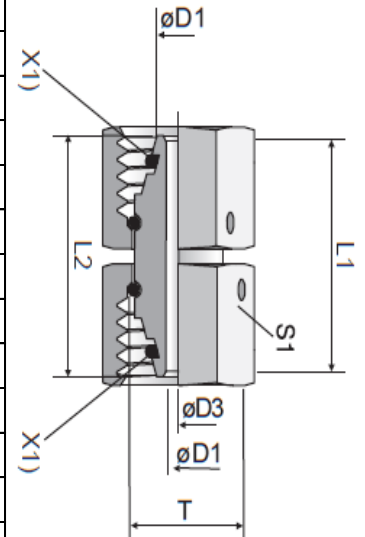


GR28-22L	28L X 22L REDUCING TUBE UNION
GR30-20S	30S X 20S REDUCING TUBE UNION
GR30-25S	30S X 25S REDUCING TUBE UNION
GR35-22L	35L X 22L REDUCING TUBE UNION
GR35-28L	35L X 28L REDUCING TUBE UNION
GR38-30S	38S X 30S REDUCING TUBE UNION
GR42-35L	42L X 35L REDUCING TUBE UNION



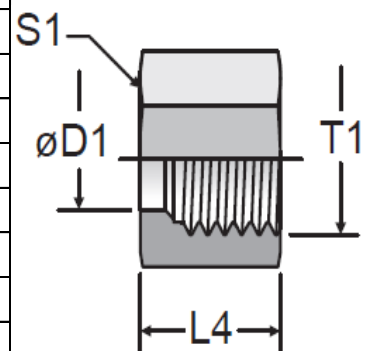
### Straigh Female Swivel Union - Back to Back (L - Light & S - Heavy Series)

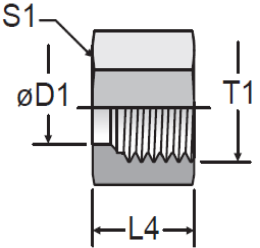
GZ06L	06L FEMALE BACK TO BACK STRAIGHT
GZ06S	06S FEMALE BACK TO BACK STRAIGHT
GZ08L	08L FEMALE BACK TO BACK STRAIGHT
GZ08S	08S FEMALE BACK TO BACK STRAIGHT
GZ10L	10L FEMALE BACK TO BACK STRAIGHT
GZ10S	10S FEMALE BACK TO BACK STRAIGHT
GZ12L	12L FEMALE BACK TO BACK STRAIGHT
GZ12S	12S FEMALE BACK TO BACK STRAIGHT
GZ14S	14S FEMALE BACK TO BACK STRAIGHT
GZ15L	15L FEMALE BACK TO BACK STRAIGHT
GZ16S	16S FEMALE BACK TO BACK STRAIGHT
GZ18L	18L FEMALE BACK TO BACK STRAIGHT
GZ20S	20S FEMALE BACK TO BACK STRAIGHT
GZ22L	22L FEMALE BACK TO BACK STRAIGHT
GZ25S	25S FEMALE BACK TO BACK STRAIGHT
GZ28L	28L FEMALE BACK TO BACK STRAIGHT
GZ30S	30S FEMALE BACK TO BACK STRAIGHT
GZ35L	35L FEMALE BACK TO BACK STRAIGHT
GZ38S	38S FEMALE BACK TO BACK STRAIGHT
GZ42L	42L FEMALE BACK TO BACK STRAIGHT



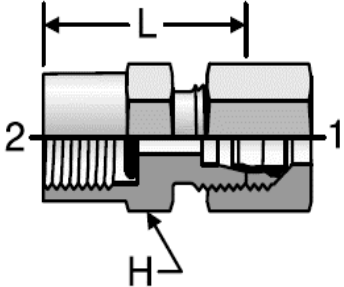
### Metric Steel Tube Nut (LL/L - Light & S - Heavy Series)

M04LL	04LL METRIC STEEL TUBE NUT
M06LL	06LL METRIC STEEL TUBE NUT
M06L	06L METRIC STEEL TUBE NUT
M06S	06S METRIC STEEL TUBE NUT
M08LL	08LL METRIC STEEL TUBE NUT
M08L	08L METRIC STEEL TUBE NUT
M08S	08S METRIC STEEL TUBE NUT
M10LL	10LL METRIC STEEL TUBE NUT
M10L	10L METRIC STEEL TUBE NUT
M10S	10S METRIC STEEL TUBE NUT
M12LL	12LL METRIC STEEL TUBE NUT
M12L	12L METRIC STEEL TUBE NUT
M12S	12S METRIC STEEL TUBE NUT
M14S	14S METRIC STEEL TUBE NUT
M15L	15L METRIC STEEL TUBE NUT
M16S	16S METRIC STEEL TUBE NUT
M18L	18L METRIC STEEL TUBE NUT
M20S	20S METRIC STEEL TUBE NUT



M22L	22L METRIC STEEL TUBE NUT	
M25S	25S METRIC STEEL TUBE NUT	
M28L	28L METRIC STEEL TUBE NUT	
M30S	30S METRIC STEEL TUBE NUT	
M35L	35L METRIC STEEL TUBE NUT	
M38S	38S METRIC STEEL TUBE NUT	
M42L	42L METRIC STEEL TUBE NUT	

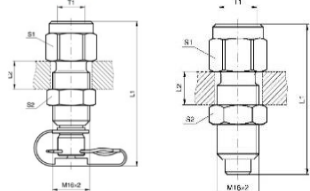
### BSP Male Pressure Gauge Adapter (L - Light & S - Heavy Series)

MAV06LR04	06L MALE TO BSPF-04 GAUGE ADAPTOR	
MAV06SR08	06S MALE TO BSPF-08 GAUGE ADAPTOR	
MAV08LR04	08L MALE TO BSPF-04 GAUGE ADAPTOR	
MAV08SR08	08S MALE TO BSPF-08 GAUGE ADAPTOR	
MAV10LR04	10L MALE TO BSPF-04 GAUGE ADAPTOR	
MAV10SR08	10S MALE TO BSPF-08 GAUGE ADAPTOR	
MAV12LR04	12L MALE TO BSPF-04 GAUGE ADAPTOR	
MAV12SR08	12S MALE TO BSPF-08 GAUGE ADAPTOR	

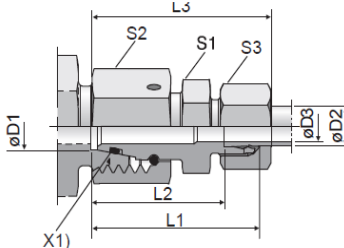
### BSP Female Pressure Gauge Adapter (L - Light & S - Heavy Series)

MAVE06LR04	06L FEMALE TO BSPF-04 GAUGE ADAPTOR	
MAVE06SR08	06S FEMALE TO BSPF-08 GAUGE ADAPTOR	
MAVE08LR04	08L FEMALE TO BSPF-04 GAUGE ADAPTOR	
MAVE08SR08	08S FEMALE TO BSPF-08 GAUGE ADAPTOR	
MAVE10LR04	10L FEMALE TO BSPF-04 GAUGE ADAPTOR	
MAVE10SR08	10S FEMALE TO BSPF-08 GAUGE ADAPTOR	
MAVE12LR04	12L FEMALE TO BSPF-04 GAUGE ADAPTOR	
MAVE12SR04	12S FEMALE TO BSPF-04 GAUGE ADAPTOR	
MAVE12SR08	12S FEMALE TO BSPF-08 GAUGE ADAPTOR	

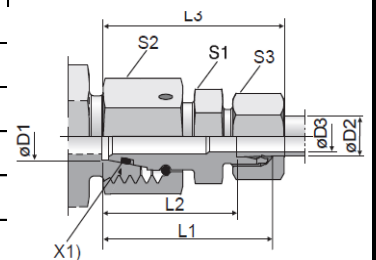
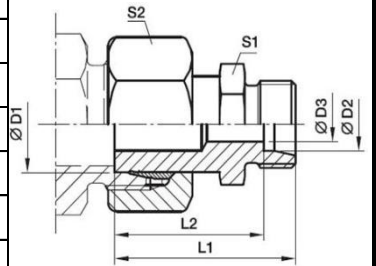
### BSP Female - M16x2 Test Point

MAV04-MA1	BSPF-04 X PIN-LOCK TEST POINT BULKHEAD	
MAV04-MA3	BSPF-04 X M16X2 TEST POINT BULKHEAD	
MAV08-MA3	BSPF-08 X M16X2 TEST POINT BULKHEAD	

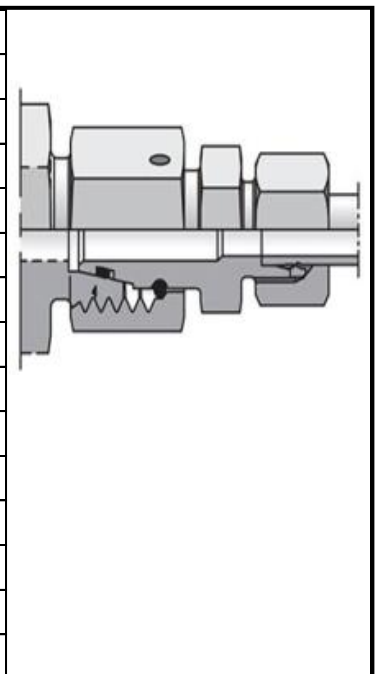
### Tube End Reducer with Swivel Nut (L - Light & S - Heavy Series)

RED08-06L	08L FEMALE X 06L MALE REDUCER (KOR)	
RED08-06S	08S FEMALE X 06S MALE REDUCER (KOR)	
RED10-06L	10L FEMALE X 06L MALE REDUCER (KOR)	
RED10-06S	10S FEMALE X 06S MALE REDUCER (KOR)	
RED10-08L	10L FEMALE X 08L MALE REDUCER (KOR)	
RED10-08S	10S FEMALE X 08S MALE REDUCER (KOR)	
RED12-06L	12L FEMALE X 06L MALE REDUCER (KOR)	
RED12-06S	12S FEMALE X 06S MALE REDUCER (KOR)	
RED12-08L	12L FEMALE X 08L MALE REDUCER (KOR)	
RED12-08S	12S FEMALE X 08S MALE REDUCER (KOR)	
RED12-10L	12L FEMALE X 10L MALE REDUCER (KOR)	
RED12-10S	12S FEMALE X 10S MALE REDUCER (KOR)	
RED14-06S	14S FEMALE X 06S MALE REDUCER (KOR)	
RED14-08S	14S FEMALE X 08S MALE REDUCER (KOR)	

RED14-10S	14S FEMALE X 10S MALE REDUCER (KOR)
RED14-12S	14S FEMALE X 12S MALE REDUCER (KOR)
RED15-06L	15L FEMALE X 06L MALE REDUCER (KOR)
RED15-08L	15L FEMALE X 08L MALE REDUCER (KOR)
RED15-10L	15L FEMALE X 10L MALE REDUCER (KOR)
RED15-12L	15L FEMALE X 12L MALE REDUCER (KOR)
RED16-06S	16S FEMALE X 06S MALE REDUCER (KOR)
RED16-08S	16S FEMALE X 08S MALE REDUCER (KOR)
RED16-10S	16S FEMALE X 10S MALE REDUCER (KOR)
RED16-12S	16S FEMALE X 12S MALE REDUCER (KOR)
RED16-14S	16S FEMALE X 14S MALE REDUCER (KOR)
RED18-06L	18L FEMALE X 06L MALE REDUCER (KOR)
RED18-08L	18L FEMALE X 08L MALE REDUCER (KOR)
RED18-10L	18L FEMALE X 10L MALE REDUCER (KOR)
RED18-12L	18L FEMALE X 12L MALE REDUCER (KOR)
RED18-15L	18L FEMALE X 15L MALE REDUCER (KOR)
RED20-06S	20S FEMALE X 06S MALE REDUCER (KOR)
RED20-08S	20S FEMALE X 08S MALE REDUCER (KOR)
RED20-10S	20S FEMALE X 10S MALE REDUCER (KOR)
RED20-12S	20S FEMALE X 12S MALE REDUCER (KOR)
RED20-14S	20S FEMALE X 14S MALE REDUCER (KOR)
RED20-16S	20S FEMALE X 16S MALE REDUCER (KOR)
RED22-06L	22L FEMALE X 06L MALE REDUCER (KOR)
RED22-08L	22L FEMALE X 08L MALE REDUCER (KOR)
RED22-10L	22L FEMALE X 10L MALE REDUCER (KOR)
RED22-12L	22L FEMALE X 12L MALE REDUCER (KOR)
RED22-15L	22L FEMALE X 15L MALE REDUCER (KOR)
RED22-18L	22L FEMALE X 18L MALE REDUCER (KOR)
RED25-06S	25S FEMALE X 06S MALE REDUCER (KOR)
RED25-08S	25S FEMALE X 08S MALE REDUCER (KOR)
RED25-10S	25S FEMALE X 10S MALE REDUCER (KOR)
RED25-12S	25S FEMALE X 12S MALE REDUCER (KOR)
RED25-14S	25S FEMALE X 14S MALE REDUCER (KOR)
RED25-16S	25S FEMALE X 16S MALE REDUCER (KOR)
RED25-20S	25S FEMALE X 20S MALE REDUCER (KOR)
RED28-06L	28L FEMALE X 06L MALE REDUCER (KOR)
RED28-08L	28L FEMALE X 08L MALE REDUCER (KOR)
RED28-10L	28L FEMALE X 10L MALE REDUCER (KOR)
RED28-12L	28L FEMALE X 12L MALE REDUCER (KOR)
RED28-15L	28L FEMALE X 15L MALE REDUCER (KOR)
RED28-18L	28L FEMALE X 18L MALE REDUCER (KOR)
RED28-22L	28L FEMALE X 22L MALE REDUCER (KOR)
RED30-06S	30S FEMALE X 06S MALE REDUCER (KOR)
RED30-08S	30S FEMALE X 08S MALE REDUCER (KOR)
RED30-10S	30S FEMALE X 10S MALE REDUCER (KOR)
RED30-12S	30S FEMALE X 12S MALE REDUCER (KOR)
RED30-16S	30S FEMALE X 16S MALE REDUCER (KOR)
RED30-20S	30S FEMALE X 20S MALE REDUCER (KOR)

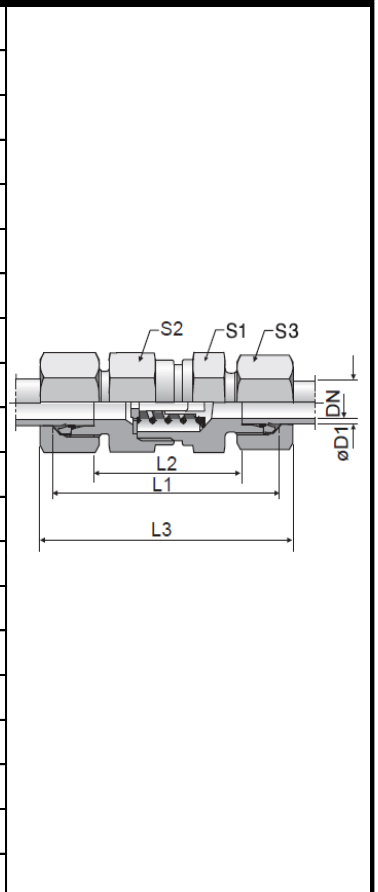


RED30-25S	30S FEMALE X 25S MALE REDUCER (KOR)
RED35-15L	35L FEMALE X 15L MALE REDUCER (KOR)
RED35-18L	35L FEMALE X 18L MALE REDUCER (KOR)
RED35-22L	35L FEMALE X 22L MALE REDUCER (KOR)
RED35-28L	35L FEMALE X 28L MALE REDUCER (KOR)
RED38-10S	38S FEMALE X 10S MALE REDUCER (KOR)
RED38-12S	38S FEMALE X 12S MALE REDUCER (KOR)
RED38-16S	38S FEMALE X 16S MALE REDUCER (KOR)
RED38-20S	38S FEMALE X 20S MALE REDUCER (KOR)
RED38-25S	38S FEMALE X 25S MALE REDUCER (KOR)
RED38-30S	38S FEMALE X 30S MALE REDUCER (KOR)
RED42-18L	42L FEMALE X 18L MALE REDUCER (KOR)
RED42-22L	42L FEMALE X 22L MALE REDUCER (KOR)
RED42-28L	42L FEMALE X 28L MALE REDUCER (KOR)
RED42-35L	42L FEMALE X 35L MALE REDUCER (KOR)



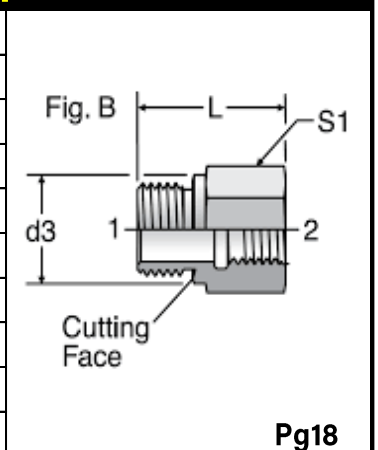
### Non-Return Check Valve (L - Light & S - Heavy Series)

RHD06L	06L MALE CHECK VALVE (1BAR CRACK P)
RHD06S	06S MALE CHECK VALVE (1BAR CRACK P)
RHD08L	08L MALE CHECK VALVE (1BAR CRACK P)
RHD08S	08S MALE CHECK VALVE (1BAR CRACK P)
RHD10L	10L MALE CHECK VALVE (1BAR CRACK P)
RHD10S	10S MALE CHECK VALVE (1BAR CRACK P)
RHD12L	12L MALE CHECK VALVE (1BAR CRACK P)
RHD12S	12S MALE CHECK VALVE (1BAR CRACK P)
RHD14S	14S MALE CHECK VALVE (1BAR CRACK P)
RHD15L	15L MALE CHECK VALVE (1BAR CRACK P)
RHD16S	16S MALE CHECK VALVE (1BAR CRACK P)
RHD18L	18L MALE CHECK VALVE (1BAR CRACK P)
RHD20S	20S MALE CHECK VALVE (1BAR CRACK P)
RHD22L	22L MALE CHECK VALVE (1BAR CRACK P)
RHD25S	25S MALE CHECK VALVE (1BAR CRACK P)
RHD28L	28L MALE CHECK VALVE (1BAR CRACK P)
RHD30S	30S MALE CHECK VALVE (1BAR CRACK P)
RHD35L	35L MALE CHECK VALVE (1BAR CRACK P)
RHD38S	38S MALE CHECK VALVE (1BAR CRACK P)
RHD42L	42L MALE CHECK VALVE (1BAR CRACK P)

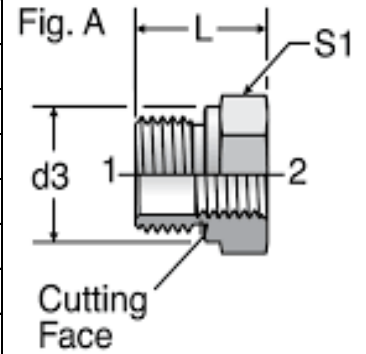


### BSP Male ED - BSP Female Reducer Adaptor

RI02EDX04	BSPM-02 ED X BSPF-04 REDUCER
RI02EDX06	BSPM-02 ED X BSPF-06 REDUCER
RI04EDX02	BSPM-04 ED X BSPF-02 REDUCER
RI04EDX06	BSPM-04 ED X BSPF-06 REDUCER
RI04EDX08	BSPM-04 ED X BSPF-08 REDUCER
RI04EDX12	BSPM-04 ED X BSPF-12 REDUCER
RI06EDX02	BSPM-06 ED X BSPF-02 REDUCER
RI06EDX04	BSPM-06 ED X BSPF-04 REDUCER
RI06EDX08	BSPM-06 ED X BSPF-08 REDUCER
RI06EDX12	BSPM-06 ED X BSPF-12 REDUCER

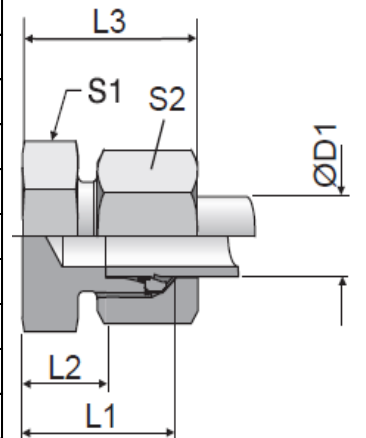


RI08EDX02	BSPM-08 ED X BSPF-02 REDUCER
RI08EDX04	BSPM-08 ED X BSPF-04 REDUCER
RI08EDX06	BSPM-08 ED X BSPF-06 REDUCER
RI08EDX12	BSPM-08 ED X BSPF-12 REDUCER
RI08EDX16	BSPM-08 ED X BSPF-16 REDUCER
RI08EDX20	BSPM-08 ED X BSPF-20 REDUCER
RI12EDX04	BSPM-12 ED X BSPF-04 REDUCER
RI12EDX06	BSPM-12 ED X BSPF-06 REDUCER
RI12EDX08	BSPM-12 ED X BSPF-08 REDUCER
RI12EDX16	BSPM-12 ED X BSPF-16 REDUCER
RI12EDX20	BSPM-12 ED X BSPF-20 REDUCER
RI12EDX24	BSPM-12 ED X BSPF-24 REDUCER
RI16EDX04	BSPM-16 ED X BSPF-04 REDUCER
RI16EDX06	BSPM-16 ED X BSPF-06 REDUCER
RI16EDX08	BSPM-16 ED X BSPF-08 REDUCER
RI16EDX12	BSPM-16 ED X BSPF-12 REDUCER
RI16EDX20	BSPM-16 ED X BSPF-20 REDUCER
RI16EDX24	BSPM-16 ED X BSPF-24 REDUCER
RI20EDX08	BSPM-20 ED X BSPF-08 REDUCER
RI20EDX12	BSPM-20 ED X BSPF-12 REDUCER
RI20EDX16	BSPM-20 ED X BSPF-16 REDUCER
RI20EDX24	BSPM-20 ED X BSPF-24 REDUCER
RI24EDX08	BSPM-24 ED X BSPF-08 REDUCER
RI24EDX12	BSPM-24 ED X BSPF-12 REDUCER
RI24EDX16	BSPM-24 ED X BSPF-16 REDUCER
RI24EDX20	BSPM-24 ED X BSPF-20 REDUCER
RI32X16	BSPM-32 X BSPF-16 REDUCER
RI32X20	BSPM-32 X BSPF-20 REDUCER
RI32X24	BSPM-32 X BSPF-24 REDUCER

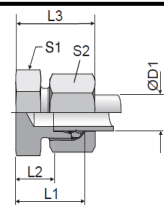


### Metric Male Blanking Plug (L - Light & S - Heavy Series)

ROV06L	06L MALE BLANKING PLUG
ROV06S	06S MALE BLANKING PLUG
ROV08L	08L MALE BLANKING PLUG
ROV08S	08S MALE BLANKING PLUG
ROV10L	10L MALE BLANKING PLUG
ROV10S	10S MALE BLANKING PLUG
ROV12L	12L MALE BLANKING PLUG
ROV12S	12S MALE BLANKING PLUG
ROV14S	14S MALE BLANKING PLUG
ROV15L	15L MALE BLANKING PLUG
ROV16S	16S MALE BLANKING PLUG
ROV18L	18L MALE BLANKING PLUG
ROV20S	20S MALE BLANKING PLUG
ROV22L	22L MALE BLANKING PLUG
ROV25S	25S MALE BLANKING PLUG
ROV28L	28L MALE BLANKING PLUG
ROV30S	30S MALE BLANKING PLUG

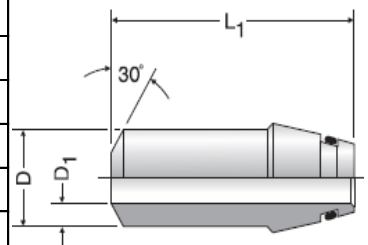
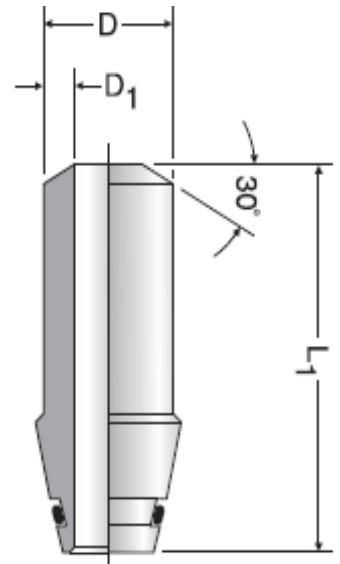


ROV35L	35L MALE BLANKING PLUG
ROV38S	38S MALE BLANKING PLUG
ROV42L	42L MALE BLANKING PLUG



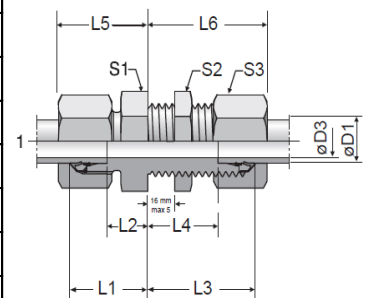
### Weld Nipples (L - Light & S - Heavy Series)

SKA10X1.0	10L/S X 1.0MM WALL WELD ON STAND PIPE
SKA10X1.5	10L/S X 1.5MM WALL WELD ON STAND PIPE
SKA10X2.0	10L/S X 2.0MM WALL WELD ON STAND PIPE
SKA12X1.5	12L/S X 1.5MM WALL WELD ON STAND PIPE
SKA12X2.0	12L/S X 2.0MM WALL WELD ON STAND PIPE
SKA12X2.5	12L/S X 2.5MM WALL WELD ON STAND PIPE
SKA16X1.5	16S X 1.5MM WALL WELD ON STAND PIPE
SKA16X2.0	16S X 2.0MM WALL WELD ON STAND PIPE
SKA16X2.5	16S X 2.5MM WALL WELD ON STAND PIPE
SKA16X3.0	16S X 3.0MM WALL WELD ON STAND PIPE
SKA20X2.0	20S X 2.0MM WALL WELD ON STAND PIPE
SKA20X2.5	20S X 2.5MM WALL WELD ON STAND PIPE
SKA20X3.0	20S X 3.0MM WALL WELD ON STAND PIPE
SKA20X4.0	20S X 4.0MM WALL WELD ON STAND PIPE
SKA25X3.0	25S X 3.0MM WALL WELD ON STAND PIPE
SKA25X4.0	25S X 4.0MM WALL WELD ON STAND PIPE
SKA25X5.0	25S X 5.0MM WALL WELD ON STAND PIPE
SKA30X3.0	30S X 3.0MM WALL WELD ON STAND PIPE
SKA30X4.0	30S X 4.0MM WALL WELD ON STAND PIPE
SKA30X5.0	30S X 5.0MM WALL WELD ON STAND PIPE
SKA30X6.0	30S X 6.0MM WALL WELD ON STAND PIPE
SKA38X4.0	38S X 4.0MM WALL WELD ON STAND PIPE
SKA38X5.0	38S X 5.0MM WALL WELD ON STAND PIPE
SKA38X6.0	38S X 6.0MM WALL WELD ON STAND PIPE
SKA38X7.0	38S X 7.0MM WALL WELD ON STAND PIPE
SKA42X3.0	42L X 3.0MM WALL WELD ON STAND PIPE
SKA42X4.0	42L X 4.0MM WALL WELD ON STAND PIPE

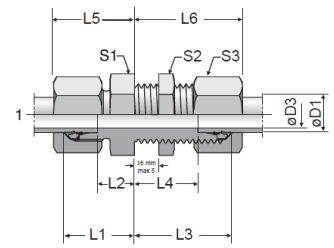


### Straight Threaded Bulkhead Union (L - Light & S - Heavy Series)

SV06L	06L THREADED STRAIGHT BULKHEAD
SV06S	06S THREADED STRAIGHT BULKHEAD
SV08L	08L THREADED STRAIGHT BULKHEAD
SV08S	08S HREADED STRAIGHT BULKHEAD
SV10L	10L THREADED STRAIGHT BULKHEAD
SV10S	10S THREADED STRAIGHT BULKHEAD
SV12L	12L THREADED STRAIGHT BULKHEAD
SV12S	12S THREADED STRAIGHT BULKHEAD
SV14S	14S THREADED STRAIGHT BULKHEAD
SV15L	15L THREADED STRAIGHT BULKHEAD
SV16S	16S THREADED STRAIGHT BULKHEAD
SV18L	18L THREADED STRAIGHT BULKHEAD
SV20S	20S THREADED STRAIGHT BULKHEAD
SV22L	22L THREADED STRAIGHT BULKHEAD

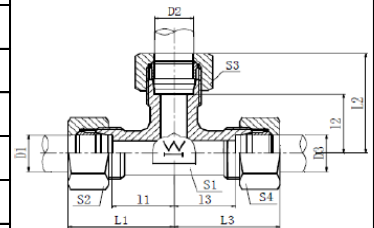
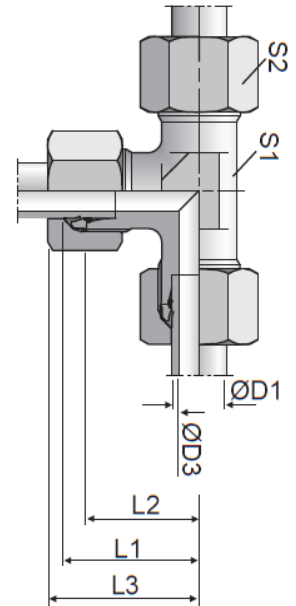


SV25S	25S THREADED STRAIGHT BULKHEAD
SV28L	28L THREADED STRAIGHT BULKHEAD
SV30S	30S THREADED STRAIGHT BULKHEAD
SV35L	35L THREADED STRAIGHT BULKHEAD
SV38S	38S THREADED STRAIGHT BULKHEAD
SV42L	42L THREADED STRAIGHT BULKHEAD



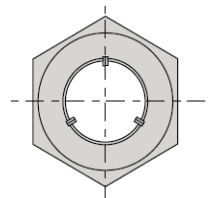
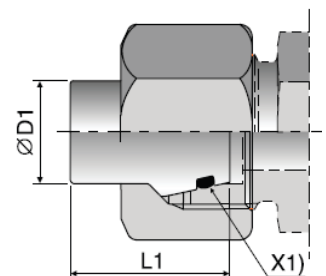
### Union Male Tee Piece (LL/L - Light & S - Heavy Series)

T04LL	04LL MALE TEE
T06LL	06LL MALE TEE
T06L	06L MALE TEE
T06S	06S MALE TEE
T08LL	08LL MALE TEE
T08L	08L MALE TEE
T08S	08S MALE TEE
T10LL	10LL MALE TEE
T10L	10L MALE TEE
T10S	10S MALE TEE
T12LL	12LL MALE TEE
T12L	12L MALE TEE
T12S	12S MALE TEE
T14S	14S MALE TEE
T15L	15L MALE TEE
T16S	16S MALE TEE
T18L	18L MALE TEE
T20S	20S MALE TEE
T22L	22L MALE TEE
T25S	25S MALE TEE
T28L	28L MALE TEE
T30S	30S MALE TEE
T35L	35L MALE TEE
T38S	38S MALE TEE



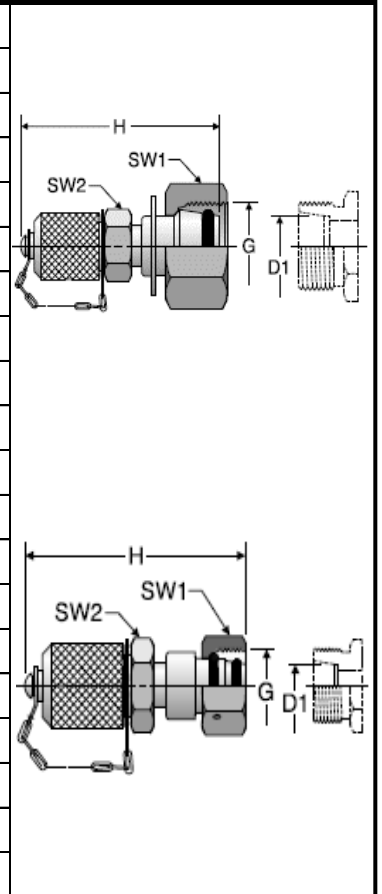
### Insert Blanking Plug for Metric Male (L - Light & S - Heavy Series)

VKA06L/S	06L/S INSERT BLANKING PLUG (BUZ) NO NUT
VKA08L/S	08L/S INSERT BLANKING PLUG (BUZ) NO NUT
VKA10L/S	10L/S INSERT BLANKING PLUG (BUZ) NO NUT
VKA12L/S	12L/S INSERT BLANKING PLUG (BUZ) NO NUT
VKA14S	14S INSERT BLANKING PLUG (BUZ) NO NUT
VKA15L	15L INSERT BLANKING PLUG (BUZ) NO NUT
VKA16S	16S INSERT BLANKING PLUG (BUZ) NO NUT
VKA18L	18L INSERT BLANKING PLUG (BUZ) NO NUT
VKA20S	20S INSERT BLANKING PLUG (BUZ) NO NUT
VKA22L	22L INSERT BLANKING PLUG (BUZ) NO NUT
VKA25S	25S INSERT BLANKING PLUG (BUZ) NO NUT
VKA28L	28L INSERT BLANKING PLUG (BUZ) NO NUT
VKA30S	30S INSERT BLANKING PLUG (BUZ) NO NUT
VKA35L	35L INSERT BLANKING PLUG (BUZ) NO NUT
VKA38S	38S INSERT BLANKING PLUG (BUZ) NO NUT
VKA42L	42L INSERT BLANKING PLUG (BUZ) NO NUT



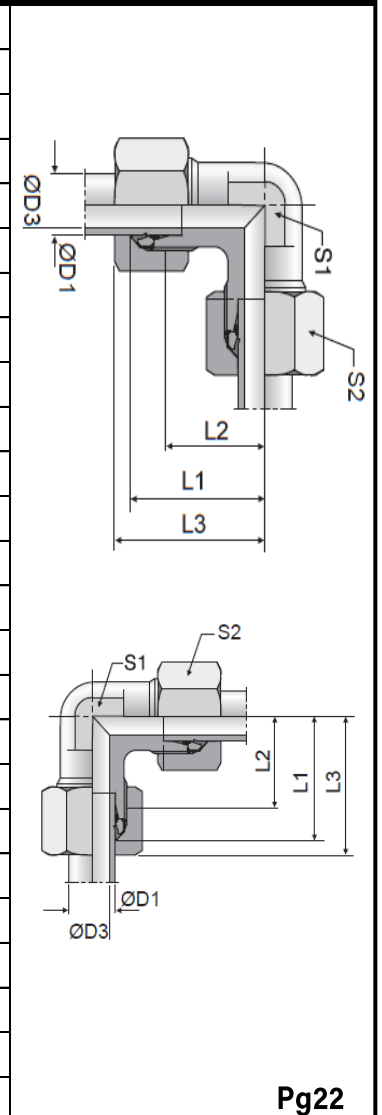
## Metric Female Swivel - M16X2 Test Point (L - Light & S - Heavy Series)

VKA3-06L	06L FEMALE X M16X2 TEST POINT
VKA3-06S	06S FEMALE X M16X2 TEST POINT
VKA3-08L	08L FEMALE X M16X2 TEST POINT
VKA3-08S	08S FEMALE X M16X2 TEST POINT
VKA3-10L	10L FEMALE X M16X2 TEST POINT
VKA3-10S	10S FEMALE X M16X2 TEST POINT
VKA3-12L	12L FEMALE X M16X2 TEST POINT
VKA3-12S	12S FEMALE X M16X2 TEST POINT
VKA3-14S	14S FEMALE X M16X2 TEST POINT
VKA3-15L	15L FEMALE X M16X2 TEST POINT
VKA3-16S	16S FEMALE X M16X2 TEST POINT
VKA3-18L	18L FEMALE X M16X2 TEST POINT
VKA3-20S	20S FEMALE X M16X2 TEST POINT
VKA3-22L	22L FEMALE X M16X2 TEST POINT
VKA3-25S	25S FEMALE X M16X2 TEST POINT
VKA3-28L	28L FEMALE X M16X2 TEST POINT
VKA3-30S	30S FEMALE X M16X2 TEST POINT
VKA3-35L	35L FEMALE X M16X2 TEST POINT
VKA3-38S	38S FEMALE X M16X2 TEST POINT
VKA3-42L	42L FEMALE X M16X2 TEST POINT



## Metric Male Union 90° Elbow (L - Light & S - Heavy Series)

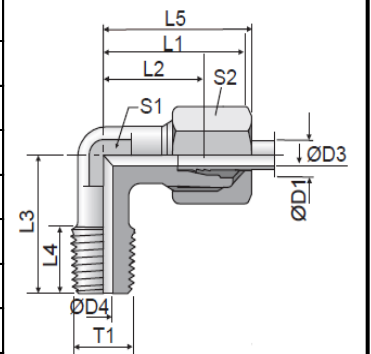
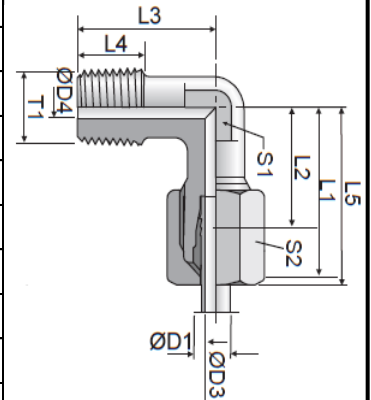
W04LL	04LL MALE 90° ELBOW
W06LL	06LL MALE 90° ELBOW
W06L	06L MALE 90° ELBOW
W06S	06S MALE 90° ELBOW
W08LL	08LL MALE 90° ELBOW
W08L	08L MALE 90° ELBOW
W08S	08S MALE 90° ELBOW
W10LL	10LL MALE 90° ELBOW
W10L	10L MALE 90° ELBOW
W10S	10S MALE 90° ELBOW
W12LL	12LL MALE 90° ELBOW
W12L	12L MALE 90° ELBOW
W12S	12S MALE 90° ELBOW
W14S	14S MALE 90° ELBOW
W15L	15L MALE 90° ELBOW
W16S	16S MALE 90° ELBOW
W18L	18L MALE 90° ELBOW
W20S	20S MALE 90° ELBOW
W22L	22L MALE 90° ELBOW
W25S	25S MALE 90° ELBOW
W28L	28L MALE 90° ELBOW
W30S	30S MALE 90° ELBOW
W35L	35L MALE 90° ELBOW
W38S	38S MALE 90° ELBOW
W42L	42L MALE 90° ELBOW





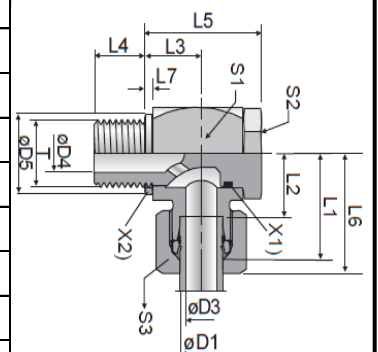
## Metric Male - NPTM & Metric M Tapered 90° (LL/L - Light & S - Heavy Series)

WE04LL02NPT	04LL MALE X NPTM-02 MALE 90° ELBOW
WE04LLM6X1	04LL MALE X M6X1 TAPER MALE 90° ELBOW
WE04LLM8X1	04LL MALE X M8X1 TAPER MALE 90° ELBOW
WE06LL02NPT	06LL MALE X NPTM-02 MALE 90° ELBOW
WE06L02NPT	06L MALE X NPTM-02 MALE 90° ELBOW
WE06L04NPT	06L MALE X NPTM-04 MALE 90° ELBOW
WE06LLM6X1	06LL MALE X M6X1 TAPER MALE 90° ELBOW
WE06LLM8X1	06LL MALE X M8X1 TAPER MALE 90° ELBOW
WE06S04NPT	06S MALE X NPTM-04 MALE 90° ELBOW
WE08LL02NPT	08LL MALE X NPTM-02 MALE 90° ELBOW
WE08L02NPT	08L MALE X NPTM-02 MALE 90° ELBOW
WE08L04NPT	08L MALE X NPTM-04 MALE 90° ELBOW
WE08S04NPT	08S MALE X NPTM-04 MALE 90° ELBOW
WE10L04NPT	10L MALE X NPTM-04 MALE 90° ELBOW
WE10L06NPT	10L MALE X NPTM-06 MALE 90° ELBOW
WE10S06NPT	10S MALE X NPTM-06 MALE 90° ELBOW
WE12L04NPT	12L MALE X NPTM-04 MALE 90° ELBOW
WE12L06NPT	12L MALE X NPTM-06 MALE 90° ELBOW
WE12L08NPT	12L MALE X NPTM-08 MALE 90° ELBOW
WE12S06NPT	12S MALE X NPTM-06 MALE 90° ELBOW
WE15L08NPT	15L MALE X NPTM-08 MALE 90° ELBOW
WE16S08NPT	16S MALE X NPTM-08 MALE 90° ELBOW
WE18L08NPT	18L MALE X NPTM-08 MALE 90° ELBOW
WE20S12NPT	20S MALE X NPTM-12 MALE 90° ELBOW
WE22L12NPT	22L MALE X NPTM-12 MALE 90° ELBOW
WE25S16NPT	25S MALE X NPTM-16 MALE 90° ELBOW
WE28L16NPT	28L MALE X NPTM-16 MALE 90° ELBOW
WE30S20NPT	30S MALE X NPTM-20 MALE 90° ELBOW
WE35L20NPT	35L MALE X NPTM-20 MALE 90° ELBOW
WE38S24NPT	38S MALE X NPTM-24 MALE 90° ELBOW
WE42L24NPT	42L MALE X NPTM-24 MALE 90° ELBOW

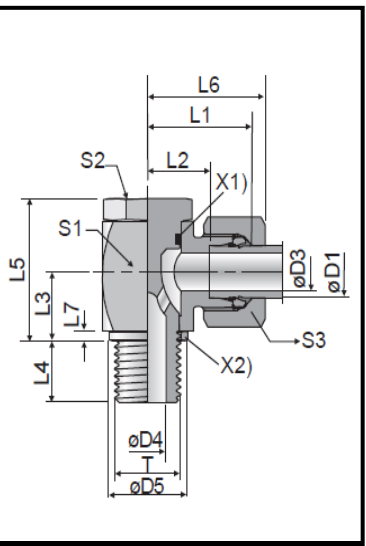


## Male 90° Bango Elbow - BSP & Metric (L - Light & S - Heavy Series)

WH06LM10X1	06L MALE 90° BANJO X M10X1 BOLT
WH06LR02	06L MALE 90° BANJO X BSP-02 BOLT
WH06SM12X1.5	06L MALE 90° BANJO X M12X1.5 BOLT
WH06SR04	06S MALE 90° BANJO X BSP-04 BOLT
WH08LM12X1.5	08L MALE 90° BANJO X M12X1.5 BOLT
WH08LR04	08S MALE 90° BANJO X BSP-04 BOLT
WH08SM14X1.5	08S MALE 90° BANJO X M14X1.5 BOLT
WH08SR04	08S MALE 90° BANJO X BSP-04 BOLT
WH10LM14X1.5	10L MALE 90° BANJO X M14X1.5 BOLT
WH10LR04	10L MALE 90° BANJO X BSP-04 BOLT
WH10SM16X1.5	10S MALE 90° BANJO X M16X1.5 BOLT
WH10SR06	10S MALE 90° BANJO X BSP-06 BOLT
WH12LM16X1.5	12L MALE 90° BANJO X M16X1.5 BOLT
WH12LR06	12L MALE 90° BANJO X BSP-06 BOLT

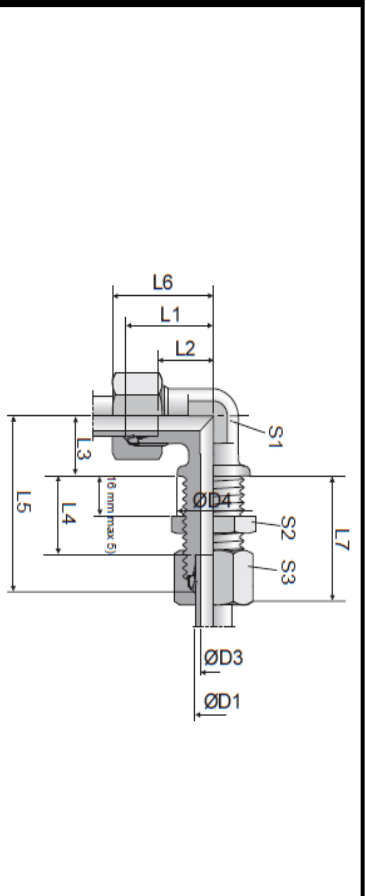


WH12SM18X1.5	12S MALE 90° BANJO X M18X1.5 BOLT
WH12SR06	12S MALE 90° BANJO X BSP-06 BOLT
WH15LM18X1.5	15L MALE 90° BANJO X M18X1.5 BOLT
WH15LR08	15L MALE 90° BANJO X BSP-08 BOLT
WH16SR08	16S MALE 90° BANJO X BSP-08 BOLT
WH16SM22X1.5	16S MALE 90° BANJO X M22X1.5 BOLT
WH18LR08	18L MALE 90° BANJO X BSP-08 BOLT
WH20SR12	20S MALE 90° BANJO X BSP-12 BOLT
WH20SM27X2	20S MALE 90° BANJO X M27X2 BOLT
WH22LM26X1.5	22L MALE 90° BANJO X M26X1.5 BOLT
WH22LR12	22L MALE 90° BANJO X BSP-12 BOLT
WH25SR16	25S MALE 90° BANJO X BSP-16 BOLT



**Threaded Male Bulkhead 90° with Lock Nut (L - Light & S - Heavy Series)**

WSV06L	06L MALE BULKHEAD 90° ELBOW WITH LOCK NUT
WSV06S	06S MALE BULKHEAD 90° ELBOW WITH LOCK NUT
WSV08L	08L MALE BULKHEAD 90° ELBOW WITH LOCK NUT
WSV08S	08S MALE BULKHEAD 90° ELBOW WITH LOCK NUT
WSV10L	10L MALE BULKHEAD 90° ELBOW WITH LOCK NUT
WSV10S	10S MALE BULKHEAD 90° ELBOW WITH LOCK NUT
WSV12L	12L MALE BULKHEAD 90° ELBOW WITH LOCK NUT
WSV12S	12S MALE BULKHEAD 90° ELBOW WITH LOCK NUT
WSV14S	14S MALE BULKHEAD 90° ELBOW WITH LOCK NUT
WSV15L	15L MALE BULKHEAD 90° ELBOW WITH LOCK NUT
WSV16S	16S MALE BULKHEAD 90° ELBOW WITH LOCK NUT
WSV18L	18L MALE BULKHEAD 90° ELBOW WITH LOCK NUT
WSV20S	20S MALE BULKHEAD 90° ELBOW WITH LOCK NUT
WSV22L	22L MALE BULKHEAD 90° ELBOW WITH LOCK NUT
WSV25S	25S MALE BULKHEAD 90° ELBOW WITH LOCK NUT
WSV28L	28L MALE BULKHEAD 90° ELBOW WITH LOCK NUT
WSV30S	30S MALE BULKHEAD 90° ELBOW WITH LOCK NUT
WSV35L	35L MALE BULKHEAD 90° ELBOW WITH LOCK NUT
WSV38S	38S MALE BULKHEAD 90° ELBOW WITH LOCK NUT
WSV42L	42L MALE BULKHEAD 90° ELBOW WITH LOCK NUT





### Bundy/Zista Tubing - (use with LL fittings or flare)

ZISTA-03-I	Bundy tube 3/16 OD, 0.71mm wall WP299bar	← Imperial
ZISTA-04-I	Bundy tube 1/4 OD, 0.71mm wall WP239bar	
ZISTA-06-I	Bundy tube 3/8 OD, 0.89mm wall WP220bar	
ZISTA-08-I	Bundy tube 1/2 OD, 1.00mm wall WP190bar	
ZISTA-M06	Bundy tube 6mm OD, 0.70mm wall WP253bar	← Metric
ZISTA-M08	Bundy tube 8mm OD, 0.70mm wall WP190bar	
ZISTA-M10	Bundy tube 10mm OD, 0.7mm wall WP148bar	
ZISTA-M12	Bundy tube 12mm OD, 1mm wall WP196bar	
ZISTA-M15	Bundy tube 15mm OD, 1mm wall WP141bar	

### Seamless Hydraulic Precision Steel Tube

ST04X1.0	STEEL TUBE 04 X 1.5MM, WP 522BAR
ST06X1.0	STEEL TUBE 06 X 1MM, WP 409BAR
ST06X1.5	STEEL TUBE 06 X 1.5MM, WP 551BAR
ST08X1.5	STEEL TUBE 08 X 1.5MM, WP 452BAR
ST10X1.5	STEEL TUBE 10 X 1.5MM, WP 373BAR
ST12X1.5	STEEL TUBE 12 X 1.5MM, WP 353BAR
ST14X2.0	STEEL TUBE 14 X 2MM, WP 403BAR
ST15X1.5	STEEL TUBE 15 X 1.5MM, WP 282BAR
ST16X2.0	STEEL TUBE 16 X 2MM, WP 353BAR
ST18X2.0	STEEL TUBE 18 X 2MM, WP 313BAR
ST20X2.5	STEEL TUBE 20 X 2.5MM, WP 353BAR
ST22X2.0	STEEL TUBE 22 X 2MM, WP 256BAR
ST25X3.0	STEEL TUBE 25 X 3MM, WP 338BAR
ST28X3.0	STEEL TUBE 28 X 3MM, WP 302BAR
ST30X3.0	STEEL TUBE 30 X 3MM, WP 282BAR
ST35X3.0	STEEL TUBE 35 X 3MM, WP 242BAR
ST38X3.0	STEEL TUBE 38 X 3MM, WP 223BAR
ST38X4.0	STEEL TUBE 38 X 4MM, WP 297BAR
ST42X3.0	STEEL TUBE 42 X 3MM, WP 201BAR

## METRIC STEEL PART NUMBER BREAKDOWN

TYPE	SIZE	PRESSURE	THREAD TYPE	THREAD SIZE	SEALING
GE	22	L	R	08	ED

TYPE	
G	Tube to Tube - Union
GE	Tube Adaptor
EGE	Female Swivel to Male
W	Union Elbow
EW	Male to Female Swivel Elbow
RED	Female Swivel to Male Reducer
GR	Union Reducer
SV	Union Bulkhead
WSV	Union Bulkhead Elbow
ESV	Weld On Bulkhead
AS	Weld On Brass
MAV	Tube to Gauge
MAVE	Female Swivel to Gauge
SKA	Weld On Adaptor
EMA	Male to Test Point
VKA	Plug
VKA3	Female Swivel to Test Point
RHD	Tube to Tube Check Valve
ROV	Male Plug
GAI	Tube to Female
WE	Tube to Male 90°
EL	Run Tee
ET	Branch Tee
WH	Banjo
T	Tee
M	Nut
D	Olive

METRIC SIZE
04
06
08
10
12
14
16
18
20
22
25
28
30
35
38
40
42

PRESSURE	
<b>LL</b>	Very Light Series
<b>L</b>	Light Series
<b>S</b>	Heavy Series

THREAD TYPE	
R	BSP
M	Metric
N	NPT
S	SAE

THREAD SIZE	
1/8"	02
1/4"	04
5/16"	05
3/8"	06
1/2"	08
5/8"	10
3/4"	12
1"	16
1 1/4"	20
1 1/2"	24
2	32