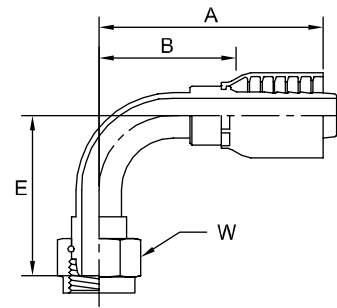


43 Series Fittings

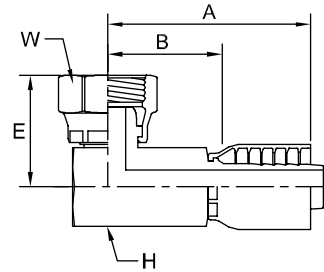
Use with 301, 301LT, 304, 341, 381, 421, 421HT, 421WC, 424, 431, 436, 451TC, 471, 471ST, 481, 601, 604, and 881 hoses.

**1B243 Female BSP Parallel Pipe - Swivel
90° Elbow (60° Cone)**



#	Thread		Hose		A		E		W	B	
	inch		inch		inch	mm	inch	mm	mm	inch	mm
	Part Number										
1B243-4-4	1/4x19	-4	1/4	-4	1.83	46	1.12	28	19	1.08	27
1B243-6-6	3/8x19	-6	3/8	-6	2.32	59	1.46	37	22	1.32	34
1B243-8-8	1/2x14	-8	1/2	-8	2.95	75	1.57	40	27	1.57	40
1B243-10-8	5/8x14	-10	1/2	-8	2.91	74	1.57	40	30	1.54	39
1B243-10-10	5/8x14	-10	5/8	-10	3.13	80	1.57	40	30	1.72	44
1B243-12-10	3/4x14	-12	5/8	-10	3.62	92	2.32	59	32	2.05	52
1B243-12-12	3/4x14	-12	3/4	-12	3.58	91	2.32	59	32	2.00	51
1B243-16-16	1x11	-16	1	-16	4.33	110	2.48	63	41	2.56	65
1B243-20-20	1-1/4x11	-20	1-1/4	-20	4.72	120	2.99	76	50	2.87	73

**1B443 Female BSP Parallel Pipe - Swivel
90° Elbow - Block Type (60° Cone)**



#	Thread		Hose		A		E		H	W	B		
	inch		inch		inch	mm	inch	mm	mm	mm	inch	mm	
	Part Number												
1B443-4-4	1/4	1/4x19	-4	1/4	-4	2.40	61	1.14	29	17	19	1.40	36
1B443-6-6	3/8	3/8x19	-6	3/8	-6	2.76	70	1.02	26	19	22	1.42	36
1B443-8-8	1/2	1/2x14	-8	1/2	-8	3.19	81	1.02	26	22	27	1.57	40
1B443-12-12	3/4	3/4x14	-12	3/4	-12	3.30	84	1.30	33	23	32	0.98	25

+ Non-standard