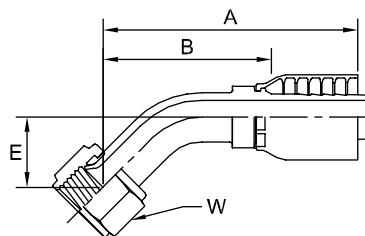


43 Series Fittings

Use with 301, 301LT, 304, 341, 381, 421, 421HT, 421WC, 424, 431, 436, 451TC, 471, 471ST, 481, 601, 604, and 881 hoses.

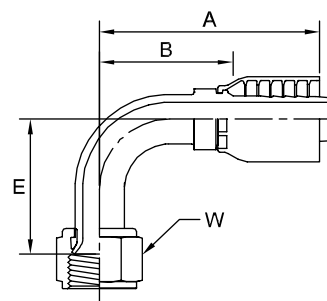
17743 Female SAE 45° - Swivel 45° Elbow



Note: Notch in nut for SAE 45° flare.

# Part Number	Thread			Hose		A		E		W	B	
	inch			inch		inch	mm	inch	mm	inch	inch	mm
17743-4-6	1/4	7/16x20	-4	3/8	-6	2.02	51	0.33	8	9/16	1.02	26

17943 Female SAE 45° - Swivel 90° Elbow



Note: Notch in nut for SAE 45° flare.

# Part Number	Thread			Hose		A		E		W	B	
	inch			inch		inch	mm	inch	mm	inch	inch	mm
17943-6-6	3/8	5/8x18	-6	3/8	-6	2.13	54	0.85	22	3/4	1.13	29
17943-8-8+	1/2	3/4x16	-8	1/2	-8	2.63	67	1.09	28	7/8	1.37	35

+ Non-standard