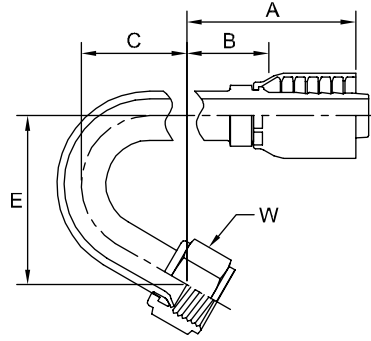


43 Series Fittings

JIC / SAE

Use with 301, 301LT, 304, 341, 381, 421, 421HT, 421WC, 424, 431, 436, 451TC, 471, 471ST, 481, 601, 604, and 881 hoses.

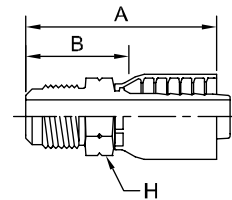
14V43 Female JIC 37° - Swivel 150° Elbow



~ These 14V43 fittings contain a dual seat that accepts both the JIC (37°) and SAE (45°) male configurations. The other sizes accept the JIC (37°) male configurations only.

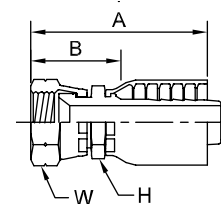
# Part Number	Thread			Hose		A		E		C	W	B	
	inch	inch	-	inch	-	inch	mm	inch	mm	inch	inch	inch	mm
14V43-4-4~+	1/4	7/16X20	-4	1/4	-4	2.65	67	1.37	35	0.68	9/16	1.92	49
14V43-6-4	3/8	9/16x18	-6	1/4	-4	2.89	73	1.97	50	1.36	11/16	2.16	55

10443 Male SAE 45° - Rigid Straight



# Part Number	Thread			Hose		A		H	B	
	inch	inch	-	inch	-	inch	mm	inch	inch	mm
10443-6-6	3/8	5/8x18	-6	3/8	-6	2.21	56	3/4	1.21	31
10443-8-8+	1/2	3/4x16	-8	1/2	-8	2.72	69	3/4	1.46	37
10443-12-12	3/4	1-1/16x14	-12	3/4	-12	3.20	81	1-1/8	1.77	45

10843 Female SAE 45° - Swivel Straight



Note: Notch in nut for SAE 45° flare. See 10643 for additional sizes.

# Part Number	Thread			Hose		A		H	W	B	
	inch	inch	-	inch	-	inch	mm	inch	inch	inch	mm
10843-6-4	3/8	5/8x18	-6	1/4	-4	1.68	43	3/4	3/4	0.93	24
10843-6-6	3/8	5/8x18	-6	3/8	-6	2.40	61	3/4	3/4	1.40	36
10843-6-8+	3/8	5/8x18	-6	1/2	-8	2.66	68	3/4	3/4	1.40	36
10843-12-8+	3/4	1-1/16x14	-12	1/2	-8	2.77	70	1-1/16	1-1/4	1.52	39
10843-12-12	3/4	1-1/16x14	-12	3/4	-12	2.96	75	1-1/16	1-1/4	1.53	39

+ Non-standard