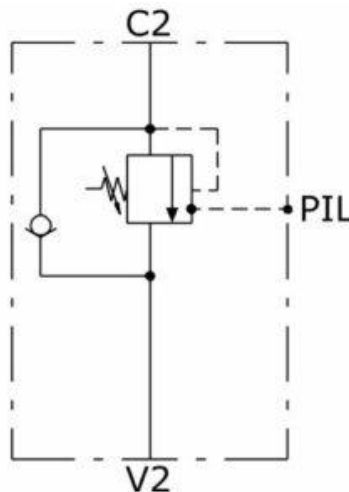


Additional Information

For: Single Over Centre Valve 3/8"

Symbol Drawing:



Application ↓ Installation ↓ Operation ↓ Features ↓

APPLICATION

They are used to control the movement and lock an actuator in one direction only.

They block the flow, provide smooth descent of a load by avoiding anticavitation, protect the hydraulic circuit from pressure increase and allow the flow in the opposite direction.

Suitable for open center distributors.

INSTALLATION

Connect port V2 to the inlet flow, port C2 to the actuator port to be controlled and port Pil to pilot pressure line.

OPERATION

The flow is free from V2 to C2. When pressure on the descent control line is applied on Pil port, the flow gradually goes from C2 to V2, thus avoiding an undesired sudden increase of the descent.

The setting must be 30% higher than the load-induced pressure.

OPTIONAL

Special body (customised) - Special pilot ratio

FEATURES

Hardened steel components - No leakage