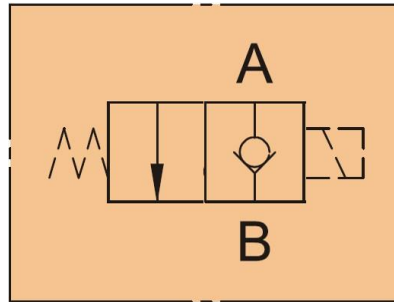


## Additional Information

### For: N/O 12V Line Mounting Solenoid Check Valve

#### Symbol Drawing:



#### Installation Dimensions:

