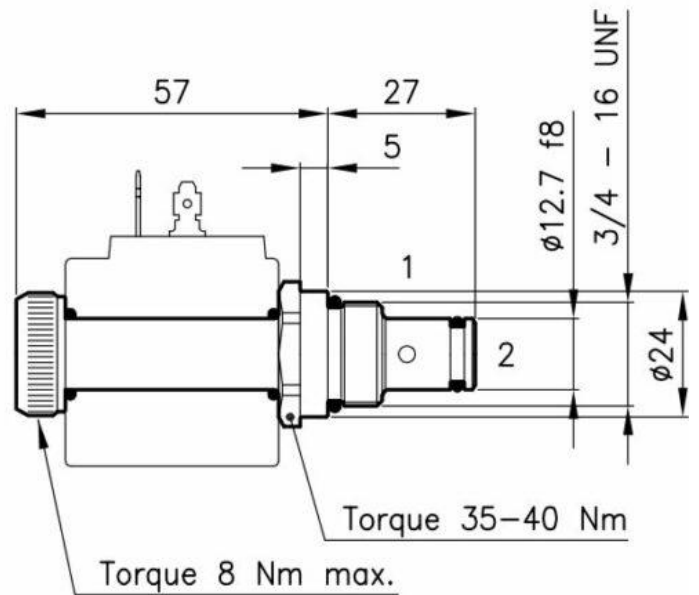
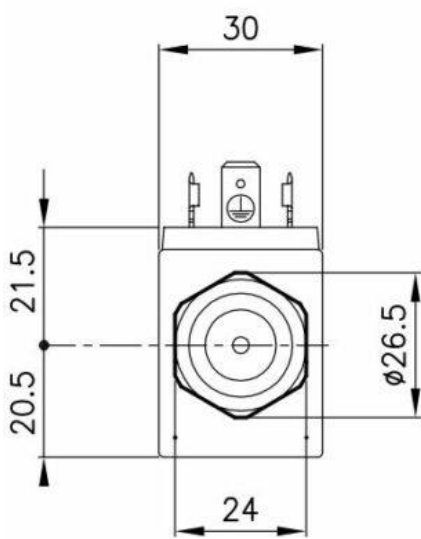


## Additional Information

### For: B28 N/O Double Poppet Solenoid Valve

#### Intallation Dimensions:



#### Symbol Drawing

