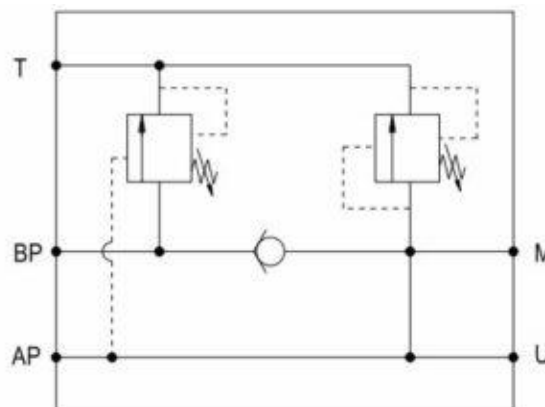


## Additional Information

### For: Two-Pumps High Low Unloading Valve 350Bar

#### Symbol Drawing



#### Ports

T = Tank, U = Application, PA = HP pump, PB = LP pump, M = Gauge port

#### Application/Installation/Operation

**Application:** This Hi-Low VEABP valve is recommended for systems powered by two pumps where double speed (fast-slow sequence) is made available. The fast speed is obtained by summing up both pumps capacity up to the setting valve of the low pressure VMD valve. Slow speed according to the small pump is obtained by later discharge of the bigger pump. Working pressure during slow speed is controlled by the high pressure VMD valve.

**Installation:** Connect the BP to the higher flow pump. Then the AP to the lower flow pump. The T port to the tank and the M port to the manometer if any. Lastly the U port to the application.

**Operation:** This valve is used in a 2 parallel-working pumps circuit. In order to release the excess of the higher flow pump to the tank. This happens when it reaches a specific pressure setting. From then on the circuit works with the lower flow pumps, a higher pressure consuming less energy.