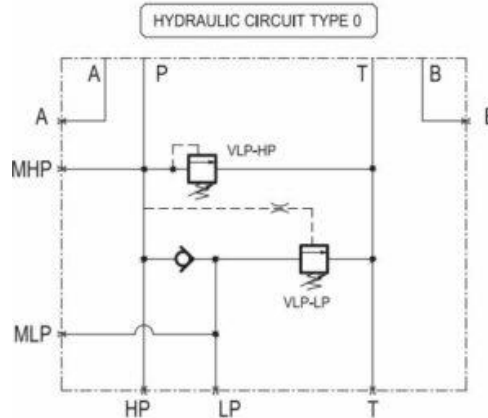


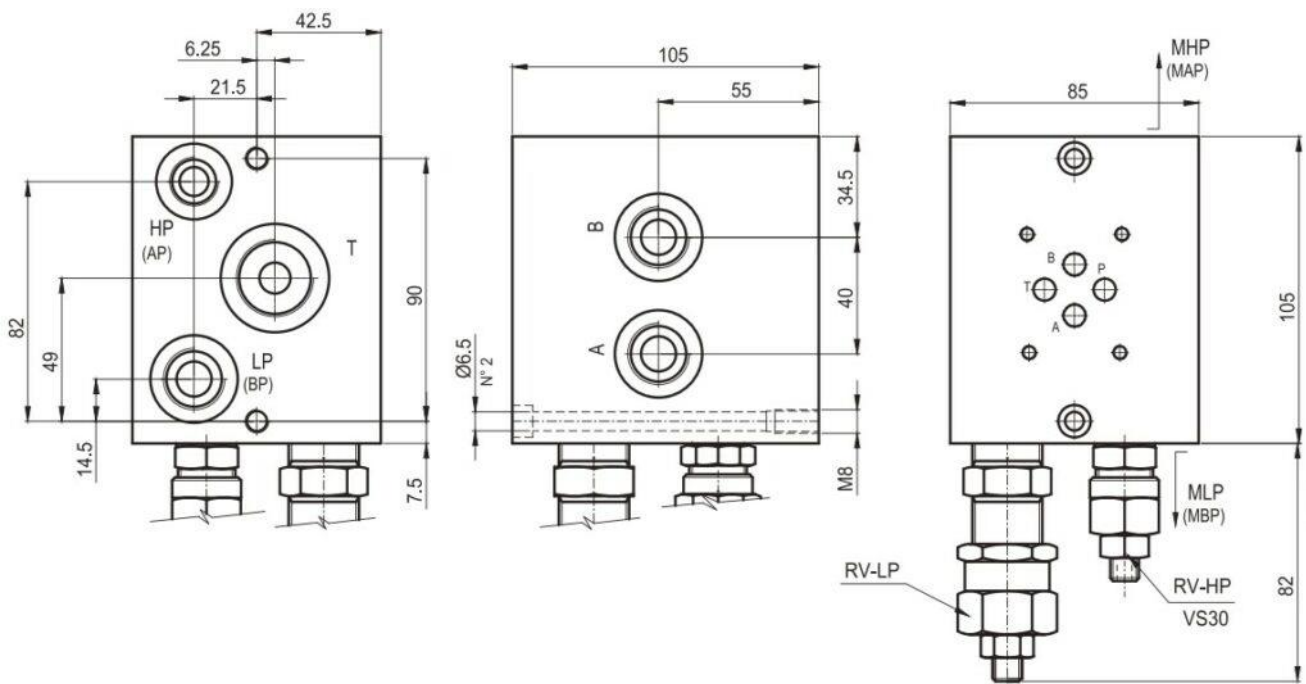
## Additional Information

### For: ET203 High Low Pressure Block

#### Symbol Drawing



#### Installation Dimensions



#### Valve Port Sizes

- Pressure Plate Port CETOP 3 HP (AP) 3/8" BSP - Rear
- LP (BP) 1/2" BSP - Rear
- T 3/4" BSP - Rear
- A-B 3/4" BSP - Side
- MHP - MLP 1/4" BSP - Side