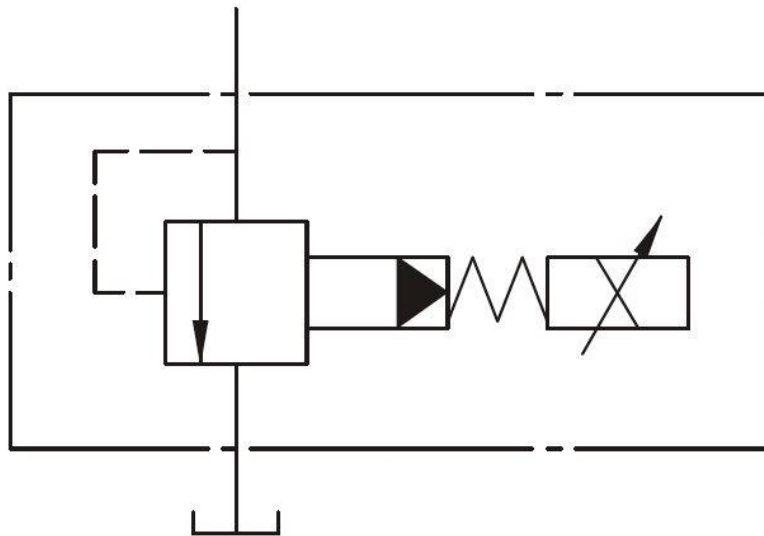


Additional Information

For: Electro Proportional Relief Valve 206Bar

Symbol Drawings



Application/Installation/Operation

Steady consistent remote control with low level
Can be used with traditional electric controller & micro-computers.
Precision micro pressure adjustment.
Additionally to be used with the Standard HystAR HNC-1085 for best results.