

## Additional Information

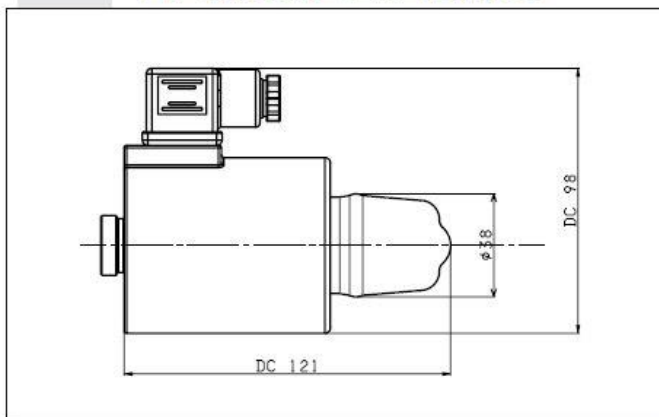
### For: 24V Coil for CDL10 Valves

#### Coil Specs

- 24VDC
- Number of cycles: 18.000/h
- Supply tolerance: +/- 10%
- Ambient Temp: -30°C ÷ 60°C
- Duty cycle: 100% ED
- Max winding temp (furthermore Ambient Temp 25°C): 113°C

#### E1 Manual Emergency & P1 Rotary Emergency

##### E1 MANUAL EMERGENCY



##### P1 ROTARY EMERGENCY

