

Additional Information

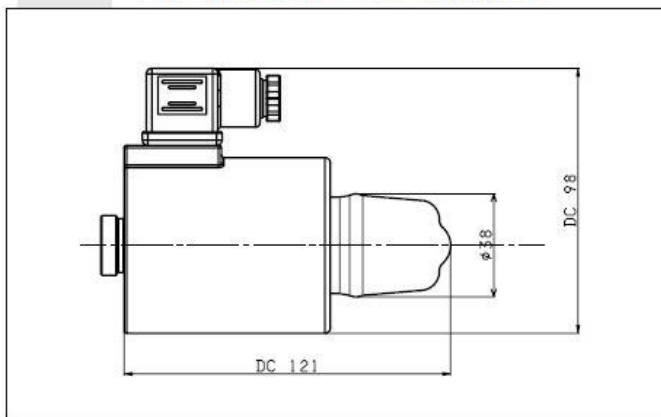
For: 12V Coil for CDL10 Valves

Coil Specs

- 12VDC
- Number of cycles: 18.000/h
- Supply tolerance: +/- 10%
- Ambient Temp: -30°C ÷ 60°C
- Duty cycle: 100% ED
- Max winding temp (furthermore Ambient Temp 25°C): 106°C

E1 Manual Emergency & P1 Rotary Emergency

E1 MANUAL EMERGENCY



P1 ROTARY EMERGENCY

