

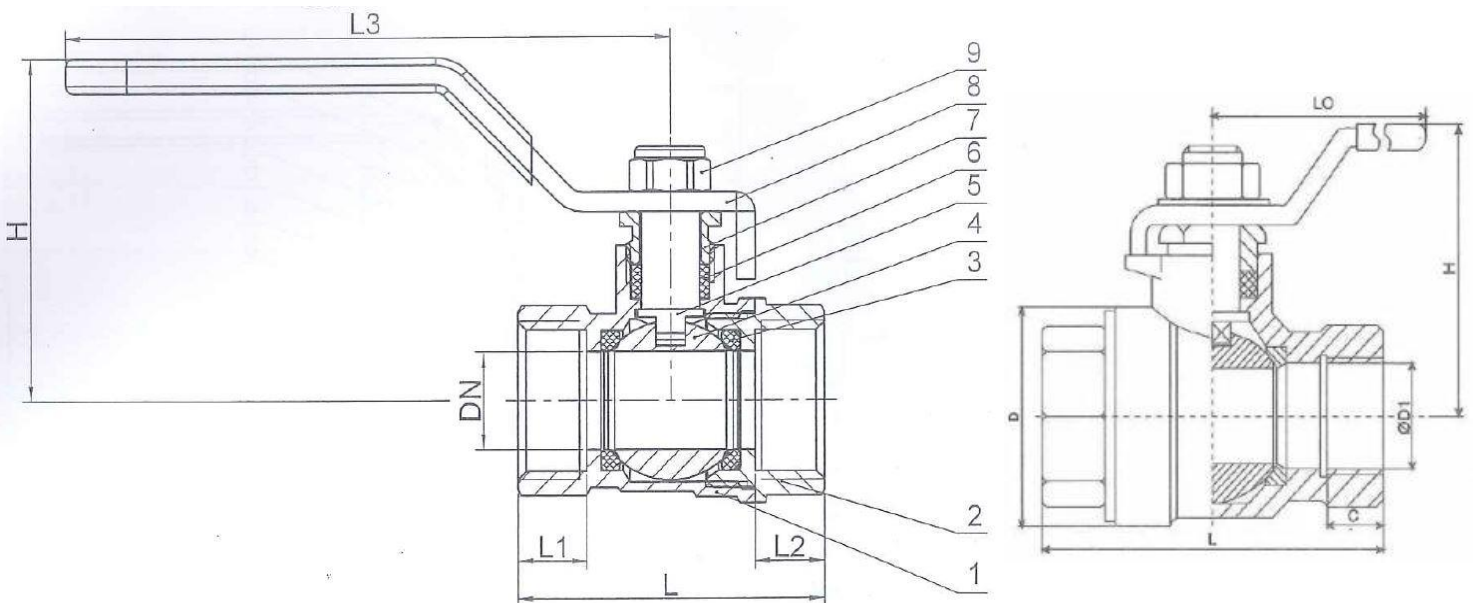
Additional Information

For: Low-Pressure 2" Ball Valve

Valve Composition

Brass Chrome Plated Body
Brass Chrome Plated Ball
Blue Handle - Plastic coated Steel Chrome

Installation Dimensions



2	45	95	16	16	145	90	1.160
---	----	----	----	----	-----	----	-------