

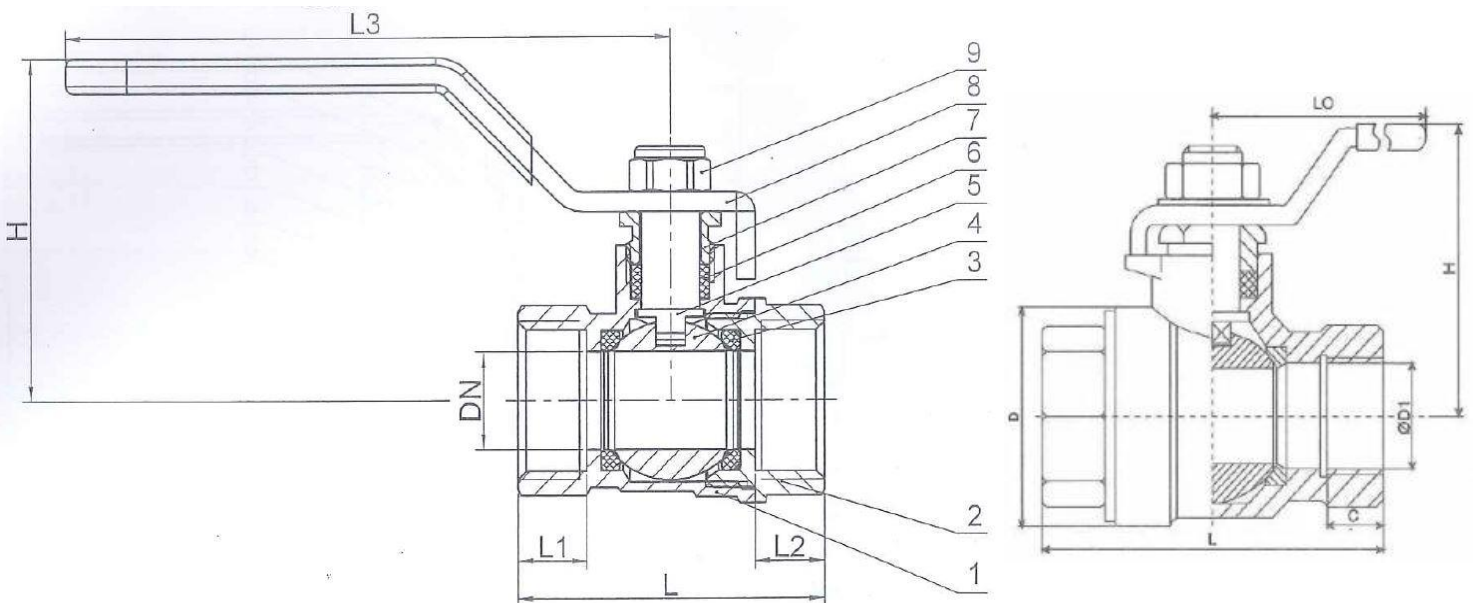
Additional Information

For: Low-Pressure 3/4" Ball Valve

Valve Composition

Brass Chrome Plated Body
Brass Chrome Plated Ball
Blue Handle - Plastic coated Steel Chrome

Installation Dimensions



3/4	17.5	51.5	12	12	83	48.5	0.193
-----	------	------	----	----	----	------	-------