

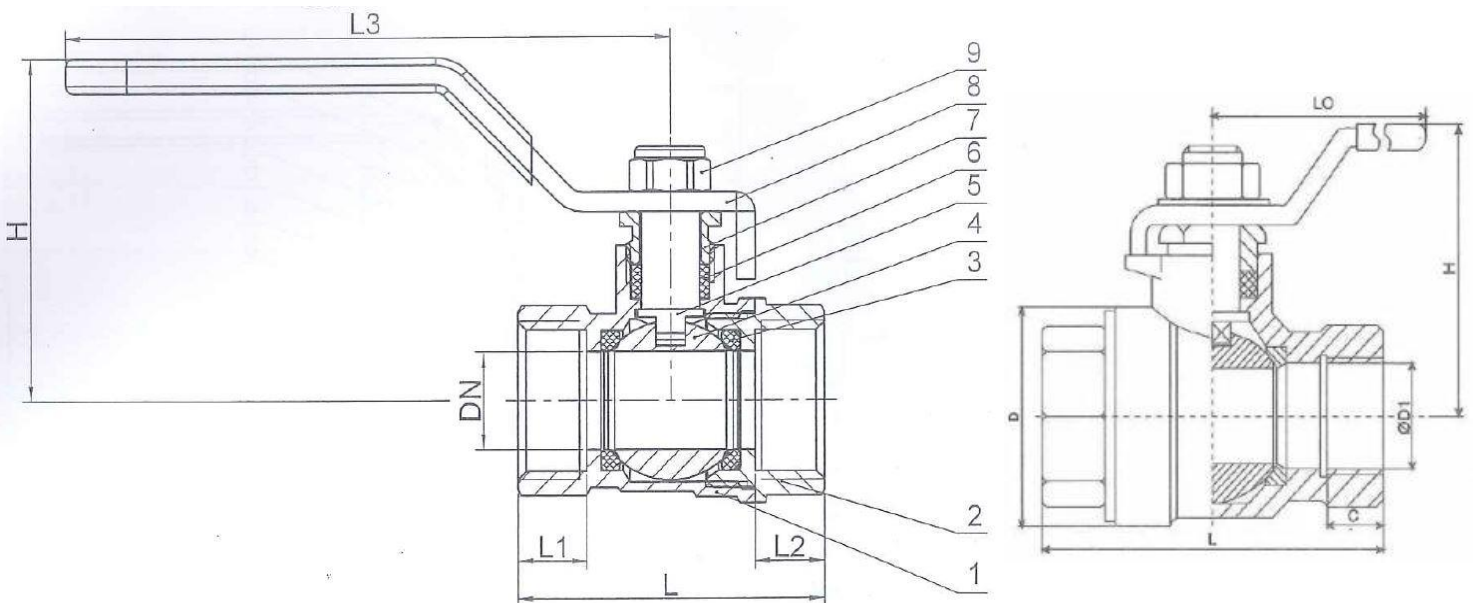
Additional Information

For: Low-Pressure 1/2" Ball Valve

Valve Composition

Brass Chrome Plated Body
Brass Chrome Plated Ball
Blue Handle - Plastic coated Steel Chrome

Installation Dimensions



1/2	13	42.5	10	10	83	45	0.131
-----	----	------	----	----	----	----	-------