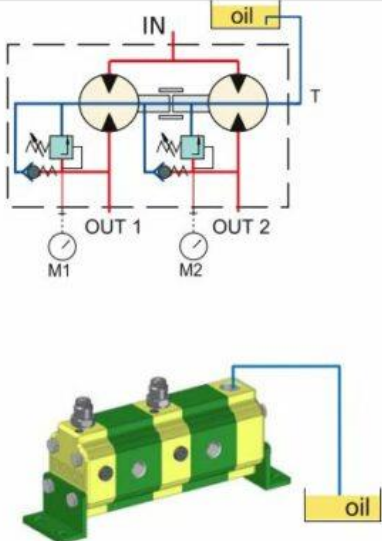
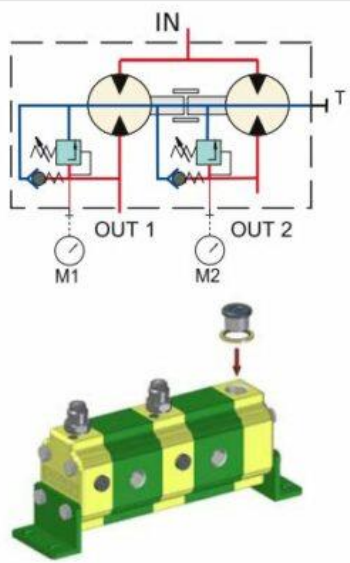


Additional Information

For: 3.2+3.2cc Gear-Type Flow Divider/Combiner

Setup Options

| EXTERNAL DRAIN <i>STANDARD SETUP</i> | INTERNAL DRAIN |
|--|---|
| <p>For the correct functioning of the flow divider, it has to be installed <i>under the oil level</i>. The drain tube has to pick up under the oil level and it has not to aspire air.</p> | <p>To predispose the divider to the internal drain, plug the 1/2 G drain port (T)</p> <p>Note: with this configuration the function of anticavitation valves is annulled</p> |
|  |  |

General Information

In **table 1** the functioning range of single flow divider elements is indicated.

The higher is the feeding capacity (q), the higher is the precision of the flow division, but in opposition there are losses of loading and higher noise. Therefore we suggest to feed the elements with capacities equal or a few superior to the ones indicated in the column "**RECOMMENDED**".

Remember to verify the capacities even in phase of flow reunion.

The pressure indicated are to be considered as maximum of functioning, the flow divider is able to bear peaks of pressure 20 % superior.

Table: 1

| Displacem. Cm ³ /rev | CC Code | Max Pressure bar | One element flow rate l/min | | |
|------------------------------------|------------|------------------------|--------------------------------|-------------|------|
| | | | MIN | RECOMMENDED | MAX |
| 0,9 | 16 | 220 | 1 | 2 | 6 |
| 1,2 | 17 | 220 | 1,5 | 3 | 7 |
| 1,7 | 18 | 220 | 2 | 4 | 9 |
| 2,2 | 20 | 220 | 2,5 | 5 | 13 |
| 2,6 | 21 | 220 | 3 | 6 | 15,5 |
| 3,2 | 23 | 220 | 3,5 | 7,5 | 18 |
| 3,8 | 25 | 220 | 4 | 8,5 | 21 |
| 4,3 | 27 | 220 | 4,5 | 9,5 | 23 |
| 4,9 | 29 | 220 | 5,5 | 11 | 27 |
| 5,9 | 31 | 220 | 6,5 | 13 | 30 |
| 6,5 | 32 | 220 | 7,5 | 14 | 32 |
| 7,8 | 34 | 210 | 8,5 | 16 | 35,5 |
| 9,8 | 36 | 200 | 11 | 20 | 41 |

In **table 3** the number of inlets in fuction of the number of elements are indicated.

For flow dividers with many inlets, as they are all communicating it is even possible to use only one of them, by plugging the other ones. We suggest to make full us at least of 1 inlet every 40 l/min capacity.

Table: 3 in this table the number of inlets in function of the number of elements are indicated.

| Number of elements | 2 | 3 | 4 | 5 | 6 | 7 | 8 | 9 | 10 | 11 | 12 | 13 | 14 | 15 | 16 |
|-----------------------|---|---|---|---|---|---|---|---|----|----|----|----|----|----|----|
| "IN" Number of inlets | 1 | 1 | 2 | 2 | 3 | 3 | 4 | 4 | 5 | 5 | 6 | 6 | 7 | 7 | 8 |

To obtain errors of division **inferior to 3%** there must be no difference of pressure between the elements superior to **30 bar**. To obtain high precisions the respect of the following parametres is also important:

- Enviroment temperature: -10°c + +60°c Oil temperature: +30°c + +60°c
- Hydraulic oil based on hlp, hv (din 51524) minerals Oil Viscosity 20 + 40 cSt
- Oil filtering 10 + 25 μ