

## Additional Information

### For: 4Bolt PTO Bent Axis Piston Pump

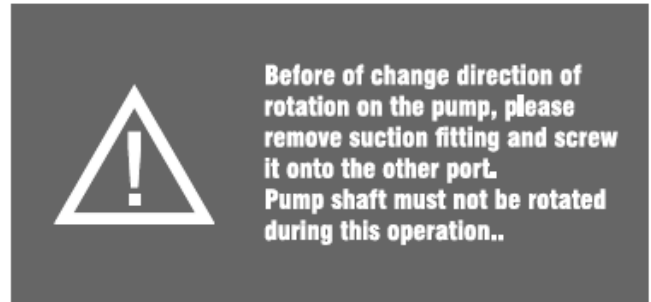
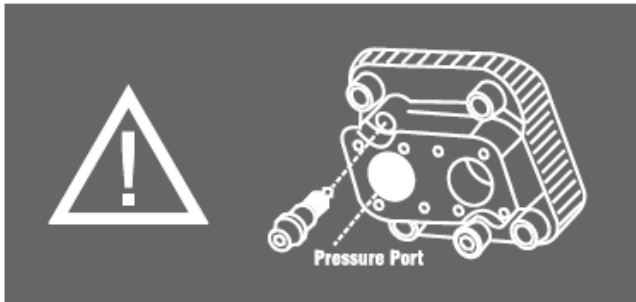
#### General Data

##### BENT AXIS PISTON PUMPS

Part No	Pump Type	Displacement 100 Rpm	Max. Continuous Speed (min -1)	Min Intermittent Speed (min -1)	Max. Continuous Pressure (BAR)	Max Peak Pressure (Bar)	Weight Kg
2PBA-12	12CC	12.00	2300	3100	350	400	9.40
2PBA18	18CC	18.00	2300	2900	350	400	9.40
2PBA25	25CC	25.00	2300	2700	350	400	9.90
2PBA40	40CC	40.20	1900	2500	350	400	10.90
2PBA55	56CC	56.40	1900	2300	350	400	11.90
2PBA63	63CC	63.00	1900	2300	350	400	11.90
2PBA80	80CC	80.00	1700	2100	350	400	15.40
2PBA105	108CC	108.40	1700	1900	350	400	15.90
2PBA130	130CC	129.80	1700	1500	350	400	16.30



## How to change rotation of pump



!! CHECK THE ROTATION FROM THE POWER TAKE OFF

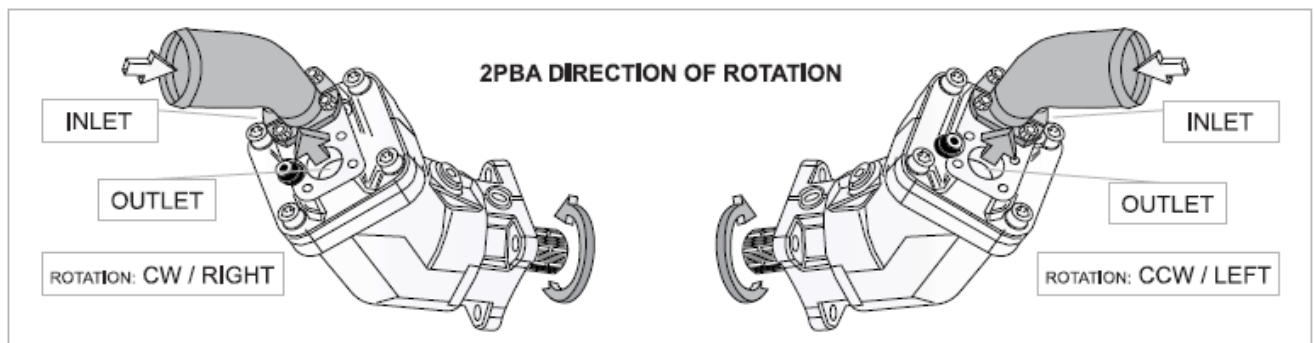
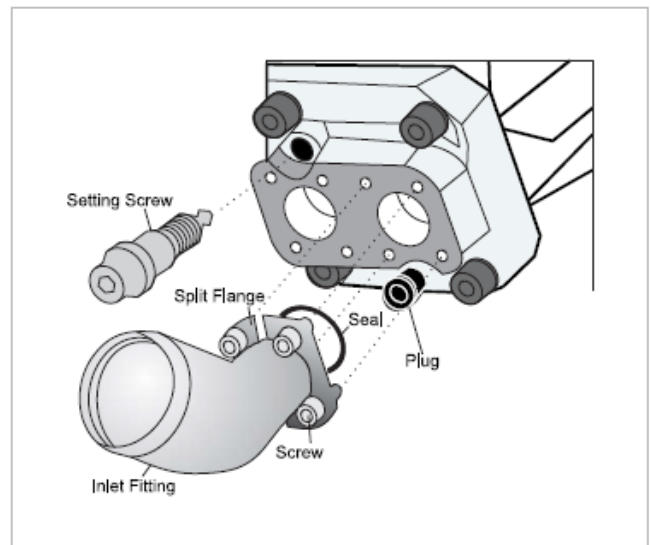
!! THE ROTATION DIRECTION OF THE PUMP

Left  
Default delivered,

Right  
Change rotation,

HOW TO CHANGE ROTATION OF THE 2PBA PUMP;

- Remove the inlet fitting with split flange,
- Remove the setting screw,
- Remove the plug,
- Put the setting screw where the plug was,
- Put the plug where the setting screw was,
- Put seal on the inlet fitting, then the inlet fitting on the side where the plug is, and fix with the split flange, Tighten with the screws.



### NOTE I

The Inlet Fitting is pre-assembled on delivery and must be tightened to the torque specified for the thread size before installation.

### NOTE II

To change the direction of rotation of the 2PBA Bent Axis Pump, you must change the pressure connection from to right port to the left port.

### NOTE III

If the pump drive shaft moves while making the change, the 2PBA Bent Axis Pump may be damaged. After unscrewing the pressure connection, do not turn the drive shaft of the pump!

### FLUID

Please check the following recommendations:  
Mineral oil

<b>Viscosity</b>	20 to 40 cSt
<b>Min. viscosity</b>	5 cSt
<b>Viscosity for correct operation</b>	10 to 400 cSt
<b>Recommended filtration</b>	10µ absolute class 9 NAS 1638 class 6 SAE class 18/15 ISO
<b>Max temp.</b>	100° C



For detailed information about 2PBA Bent Axis Pumps, please contact with Technical Department !!!