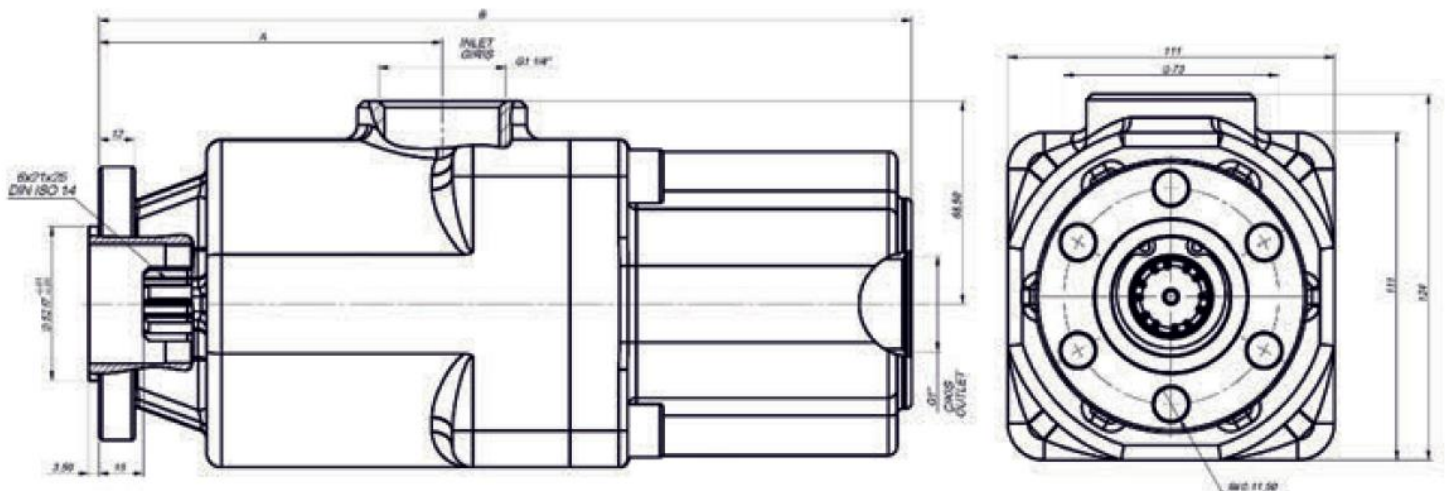


Additional Information

For: 3 Bolt Straight PTO Piston Pump

Installation Dimensions



General Data

3 BOLT PISTON PUMPS (6 SPLINE)

Part Number	Max. Continuous Speed (min ⁻¹)	Min Intermittent Speed (min ⁻¹)	Max. Continuous Pressure (BAR)	Pump Type
PPP20CC35M3	1200	400	350	20CC
PPP34CC35M3	1200	400	350	34CC
PPP46CC35M3	1200	400	350	50CC
PPP60CC35M3	1200	400	350	60CC