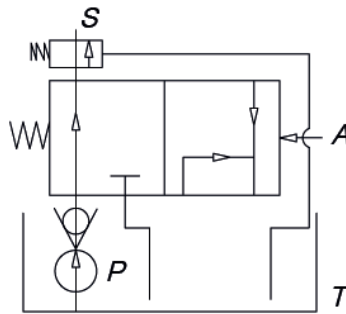


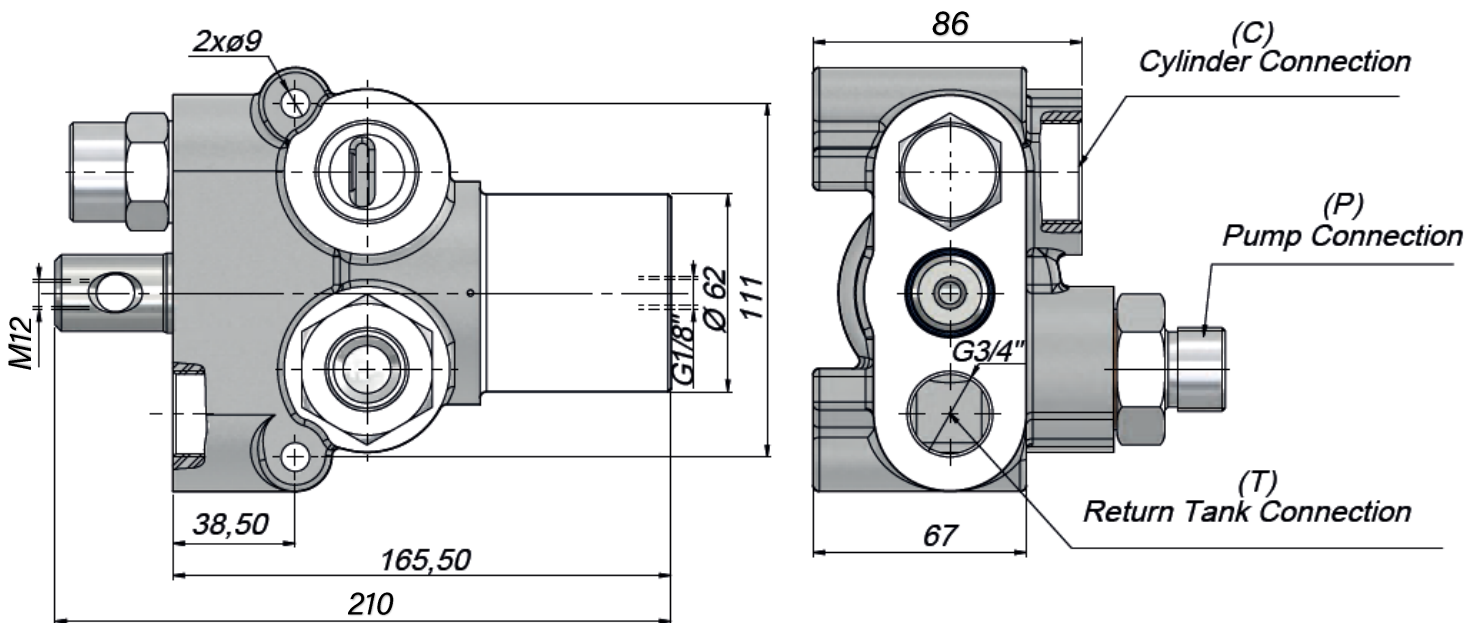
**Additional Data/Spec Sheet**

**DOP19 Pneumatic Single Acting Tipping Valve - Cast Iron - High Pressure**

Hydraulic Symbol Drawing



Dimension Drawing



General Data

**SINGLE ACTING TIPPING VALVES - DOP19 HIGH PRESSURE**

Part Number	Flow Rate (L/Min)	Continuous Working Pressure (BAR)	Max. Continuous Pressure (BAR)	Weight Kg
DOP19H	140	250	260	5.00