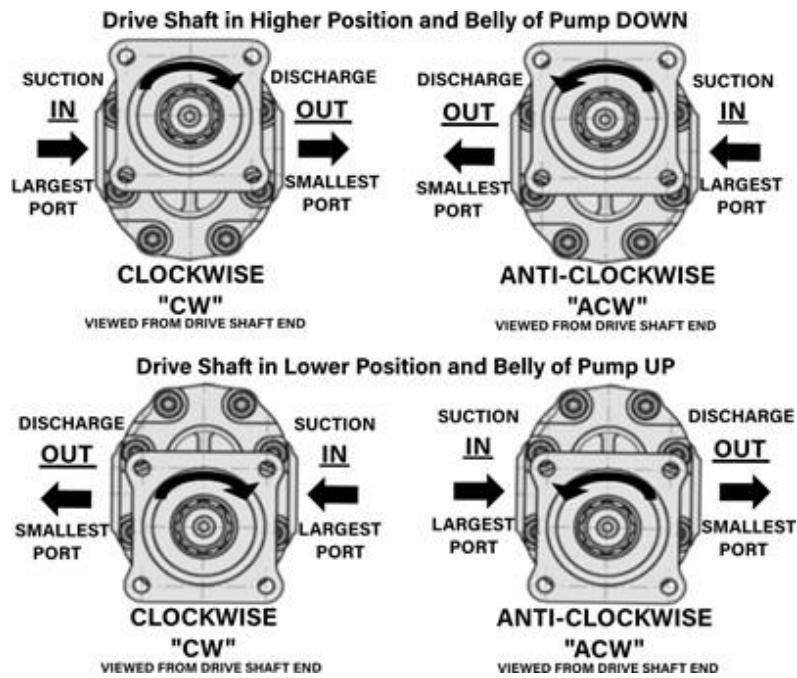


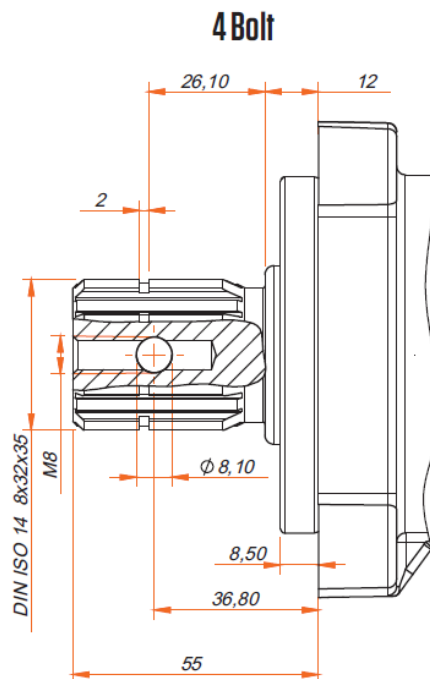
Additional Information

For: 4Bolt PTO Gear Pump

Rotation Drawing



Installation Dimensions



General Data

20/30/40 SERIES GEAR PUMPS

Part Number	Pump Type	Displacement cm ³ /Rpm	Max. Continuous Speed (min ⁻¹)	Max. Continuous Pressure [BAR]	Weight Kg
DPAD30-17	30-17	17.20	2800	260	11.00
DPAD30-27	30-27	27.30	2800	260	11.50
DPAD30-34	30-34	33.80	2600	260	12.00
DPAD30-43	30-43	43.80	2300	260	12.50
DPAD30-51	30-51	51.70	2300	240	13.00
DPAD30-61	30-61	61.90	1900	220	13.50
DPAD30-82	30-82	82.10	1700	180	14.00
DPAD40-87	40-87	87.20	2600	240	18.00
DPAD40-109	40-109	109.00	2600	235	22.50
DPAD40-133	40-133	132.90	2400	225	23.50
DPAD40-151	40-151	151.00	2400	180	24.00

