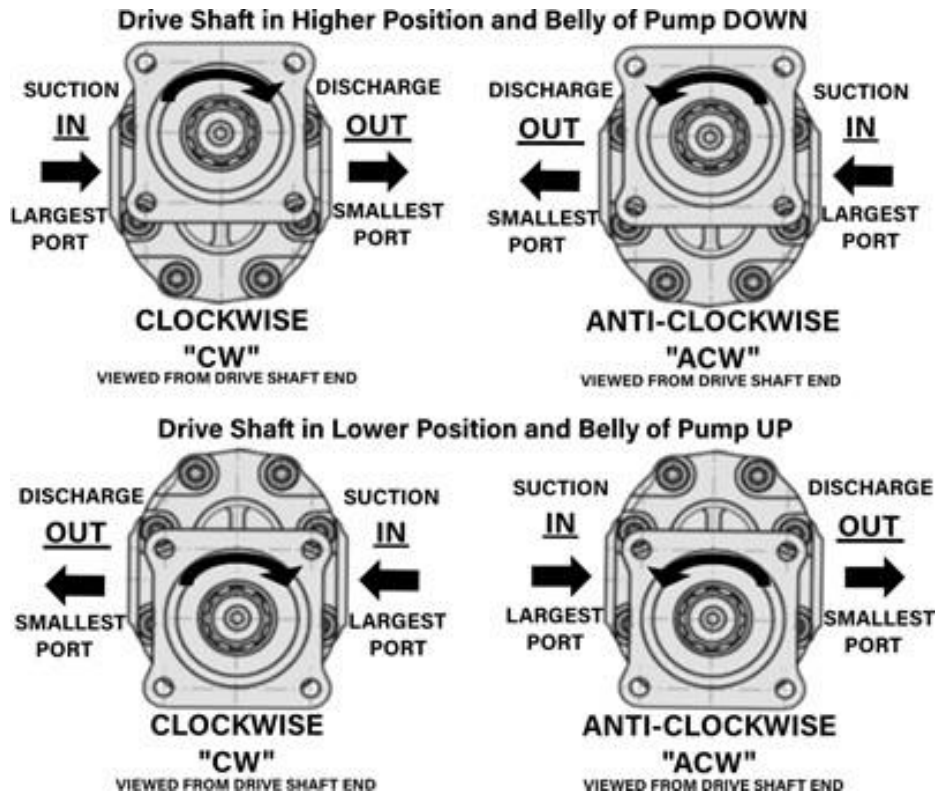


Additional Information

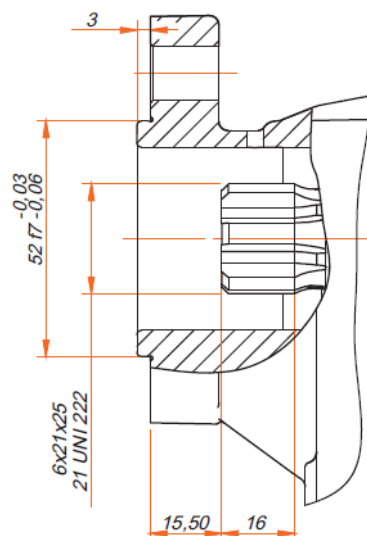
For: 3Bolt PTO Gear Pump

Rotation Drawing



Installation Dimentions

3 Bolt



General Data

20/30/40 SERIES GEAR PUMPS

Part Number	Pump Type	Displacement cm ³ /Rpm	Max. Continuous Speed (min ⁻¹)	Max. Continuous Pressure (BAR)	Weight Kg
DP20-06BD	20-06	6.10	3000	280	4.0
DP20-10BD	20-10	10.20	3000	280	4.5
DP30-17	30-17	17.20	2500	260	10.50
DP30-27	30-27	26.50	2500	260	10.90
DP30-34	30-34	34.30	2200	260	11.40
DP30-43	30-43	43.70	2200	260	12.00
DP30-51	30-51	51.40	2000	240	12.50
DP30-61	30-61	60.80	1800	220	13.00
DP30-82	30-82	81.00	1500	180	13.80

